

ARB FITTING INSTRUCTIONS

ARB JEEP GRAND CHEROKEE WINCH BULL BAR (1996)

No 3450060

WARNING

FOR VEHICLES EQUIPPED WITH SRS AIRBAG
WHEN INSTALLED IN ACCORDANCE WITH THESE INSTRUCTIONS, THE FRONT PROTECTION BAR DOES NOT AFFECT OPERATION OF THE SRS AIRBAG.

TAKE NOTE OF THE FOLLOWING:

- **THIS PRODUCT MUST BE INSTALLED EXACTLY AS PER THESE INSTRUCTIONS USING ONLY THE HARDWARE SUPPLIED.**
- **DO NOT USE THIS PRODUCT FOR ANY VEHICLE MAKE OR MODEL, OTHER THAN THOSE SPECIFIED BY ARB.**
- **DO NOT REMOVE LABELS FROM THIS BULL BAR.**
- **THIS PRODUCT OR ITS FIXING MUST NOT BE MODIFIED IN ANY WAY.**

FITTING KIT No 6171158

3751564	1	CONTROL BOX BRKT
3751584	1	NUMBER PLATE BRKT
3751585L/R	1 pr	CAPTIVE NUT ANGLE BRKT ASSY. (L & R)
3193508L/R	1 pr	CHASSIS MOUNT CAP. NUT PLATE ASSY. (L & R)
3751578L/R	1 pr	CHASSIS MOUNTING BRKT. (L & R)
3193507	1	CHARCOAL CANISTER PROTECTION PLATE
3500080	1	INDICATOR LIGHT KIT
6151046	8	WASHER FLAT 6mmZP
4581040	8	WASHER FLAT 3/8" X 1" 16G
4581044	4	WASHER FLAT M8 X 17 X 1.2
4581048	8	WASHER SPRING M10 1/8 X 1/8
4581049	16	WASHER FLAT 1/2" X 1 1/8" 12G
4581050	10	WASHER SPRING 1/2" X 1/8 X 1/8"
4581051	4	WASHER 5/8" X 1 3/8" X 10G
6151017	8	BOLT M6 X 1.0 X 16mm
6151021	4	BOLT M8 X 1.25 X 20mm
6151074	2	BOLT 3/8" X 1 3/4" UNC
6151232	4	BOLT M10 X 1.5 X 30mm
6151094	6	BOLT M12 X 1.25 X 30mm
6151100	4	BOLT 1/2" X 1 1/2" UNC
6151110	2	BOLT 5/8" X 6" UNC
6151128	8	NUT FLANGE M6 X 1.0
6151132	4	NUT FLANGE M8 X 1.25
6151135	6	NUT M12 X 1.25
6151140	2	NUT 5/8" UNC NYLOC
EG50	1	RUBBER GROMMET

TOOLS REQUIRED

Basic Tool Kit, 1/2" Drill, 1/2" & 8mm drill bits

PROCEDURE

1. Fit the number plate bracket (No 3751584) to the bull bar using the M8 x 16mm bolts, flat washers and flange nuts (2 of each).
2. Fit the control box bracket (No 3751564) to the bull bar using the M8 x 20mm bolts, flat washers and flange nuts (2 of each).

ROLLER FAIRLEAD & WINCH FITMENT

3. The new mounting holes must be drilled into the roller fairlead to line up with the winch mounting holes in the bull bar. Drill the 1/2" dia. holes as shown in diagram 1. To make the winch clutch handle easily accessible rotate the gear housing clockwise by 72 degrees or 2 increments. **It is essential to refer to the Warn winch handbook and diagram 2 below for details.**
4. Remove the circlips which retain the side pins. Remove the side pins and side rollers from the roller fairlead. Discard the side pins and circlips.
5. Fit the 50mm OD rubber grommet to the hole in the top of the bull bar.
6. Mount the control box to the control box bracket using the original nuts supplied.
7. Feed the control box cables down through the grommet to the winch motor.
8. Position the winch on a suitable stand with the mounting holes facing upwards. Install the winch and roller fairlead using bolts, nuts and spring washers supplied by Warn and the 3/8" x 1 3/4" UNC bolts flat washers and M10 spring washers (2 of each) from the ARB fitting kit. Connect the winch control box cables to the winch motor. Connect the long (+) and (-) cables to the vehicle after the bull bar has been installed. Refer to the Warn installation instructions for the correct procedure.
9. Using the 5/8" x 6" bolts supplied, place the 5/8" flat washers (2 of each) under the head of both bolts and insert the bolts through the roller fairlead bracket and side rollers. Fit the 5/8" flat washers and nyloc nuts (2 of each), then tighten so that the rollers turn freely.
10. Remove the grille, side clearance lamps, indicators, all screws and plastic clips to enable bumper bar to be lifted off the retaining tags. Replace the above items once the bumper has been removed. Remove the bumper bar and tie down the componentry on the passenger side of the vehicle.
11. Position the chassis mounting brackets (No 3751578L/R) to the vehicle using the M10 x 30mm bolts, spring washers, 3/8" flat washers (2 of each per side) and the chassis mounting captive nut plates (No 3193508L/R). Make sure the brackets are hard against the vehicle crossmember then drill out the front holes to 1/2" dia. With reference to diagrams 3 and 4, remove the M10 x 30mm bolt and washers from the top position of the bracket. Position the captive nut angle bracket (No 3751585L/R) behind the vehicle crossmember and then bolt up using the 1/2"x1 1/2" UNC bolts, spring plus flat washers (2 of each per side). Replace the M10 x 30 bolt, flat plus spring washer to the top position which ties both of the brackets together. Tighten all the bolts. Refer to diagram 5.
12. With reference to diagram 6, position the charcoal canister protection plate (No 3193507) to the vehicle using the one of the M8 bolt, flange nut and flat washer. Drill a hole 8mm dia. in the side panel. **Avoid damaging the canister.** Insert the M8 bolt, flange nut and flat washer. Tighten the bolts.
13. Fit the indicators to the bull bar using the kit supplied (No 3500080).
14. Fit the number plate to the bull bar using the M6 x 16mm bolts, flange nuts and 1/4" flat washers (2 of each).
15. Lift the bull bar into position between the chassis brackets on the vehicle. Bolt up using the M12 x 30mm bolts, nuts 1/2" spring washers (3 of each per side) and 1/2" flat washers (6 of each per side).
16. When all the bolts are in place, check that the bull bar is level on the vehicle and tighten all the bolts.
17. Using the M6 x 16mm bolts, flange nuts and 6mm flat washers (2 of each per side), bolt the plastic inner guards behind the return fold on the bull bar wings. Trim off the excess plastic with scissors.
18. Scotch lock the indicator wiring loom on the bull bar to the vehicle indicator wiring loom.

DIAGRAM 1

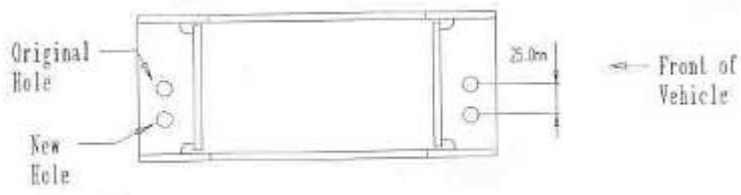


DIAGRAM 2

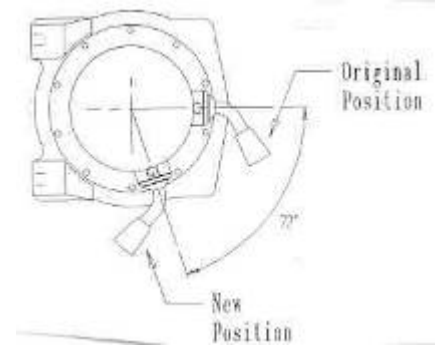


DIAGRAM 3

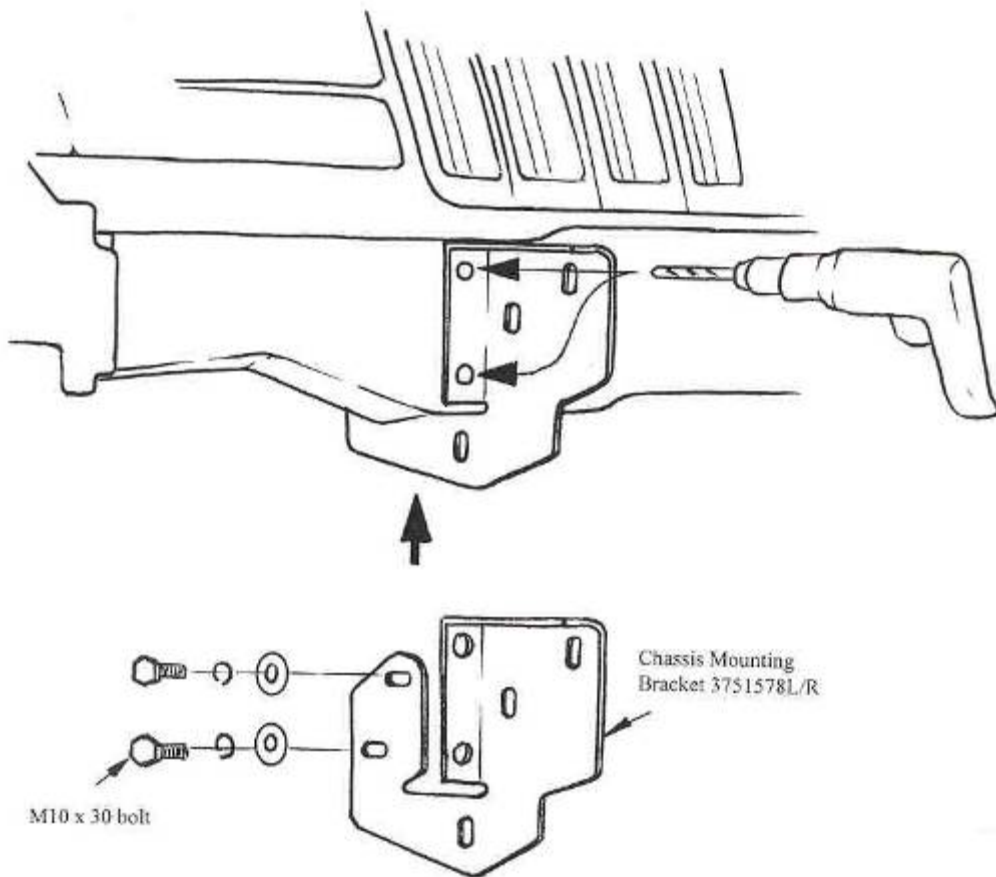


DIAGRAM 4

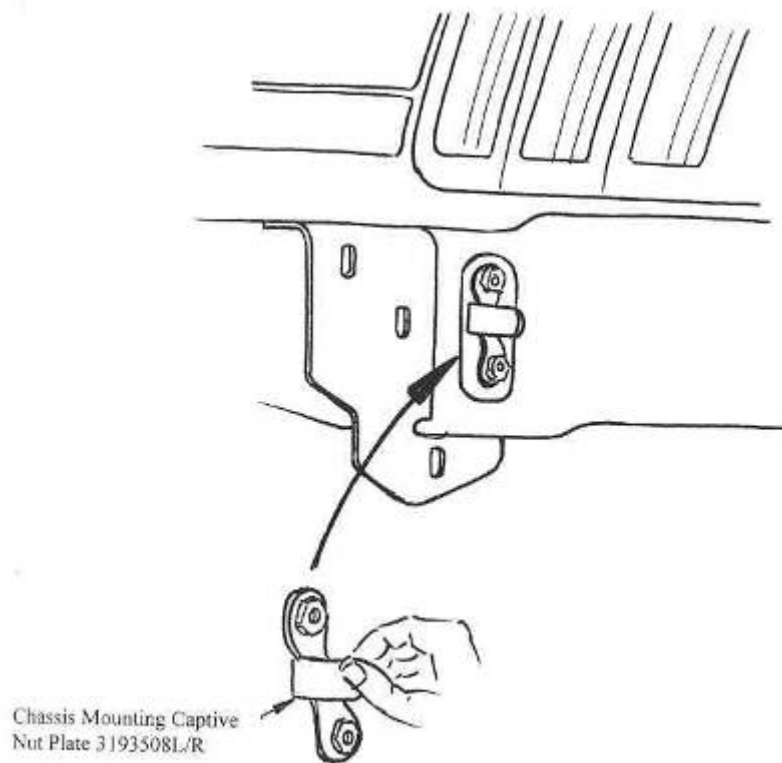


DIAGRAM 5

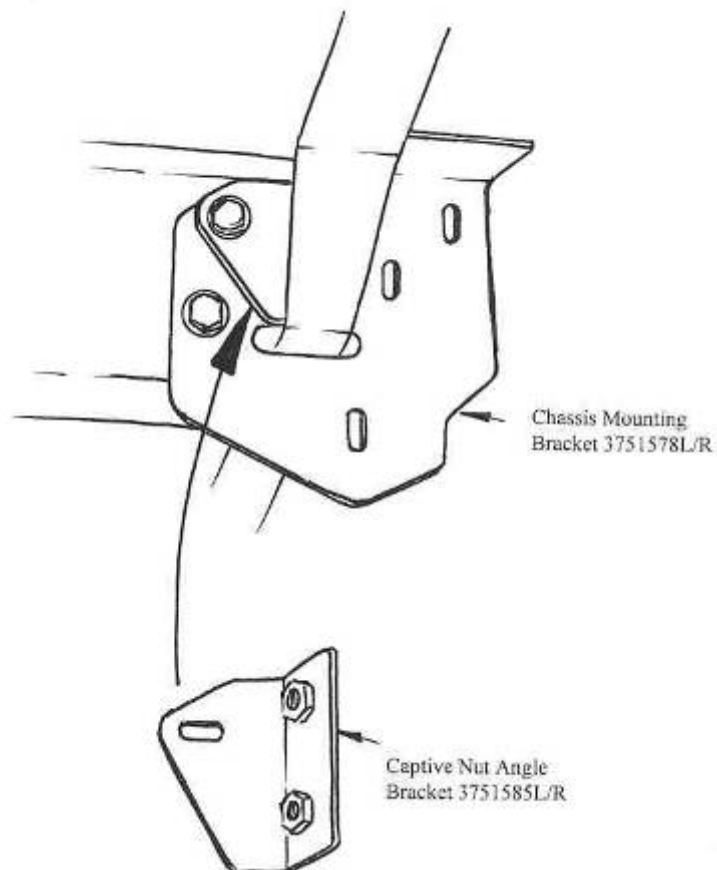


DIAGRAM 6

