



TOURING



**Congratulations on purchasing your
ARB TOURING ROOFTOP TENT - the quick and easy way to enjoy camping.**

Included in this leaflet is all the information that you require to obtain the maximum enjoyment and benefit from your rooftop tent. Given proper care your rooftop tent will give you many years of trouble-free camping.

Contents

- 1. Attaching the mounting rails to the base of the ARB Rooftop Tent**
 - 1.1. Rooftop Tent direction of opening - Back (Rear) or to the side of the vehicle?
 - 1.2. Attaching the mounting rails and Ladder

- 2. Fitting the ARB Rooftop Tent to your Roof Rack or Roof Bars.**

- 3. Rooftop Tent Setup Instructions.**

- 4. Ladder Extension Accessory**

- 5. Tent Light & Power ports**

- 6. Cautions, Storage and Care guide lines**

- 7. Warranty Instructions**

1. Attaching the Mounting Rails to the ARB Rooftop Tent

1.1. Direction of Opening

Before you fit your new rooftop tent to your vehicle, you will need to decide whether you wish to have the rooftop tent open “off the back” or “off the side” of your vehicle.

“Off the Back”

For most larger size vehicles opening “off the back” is preferable. The advantages of this orientation are:

- leaves extra roof space for additional storage.
- with the tent open you will gain weather protection from the tent above your head when accessing the back of your vehicle.

Caution: Some vehicles have tailgates which lift well above their roofline. Opening “off the back” is not suitable for these vehicles as the tent base may restrict the full range of movement of the tailgate.

To mount the rooftop tent to open off the back, the mounting extrusions need to be cut off at both ends up to the second pre-drilled hole, prior to being fitted to the base of the rooftop tent. See Diagram 1.

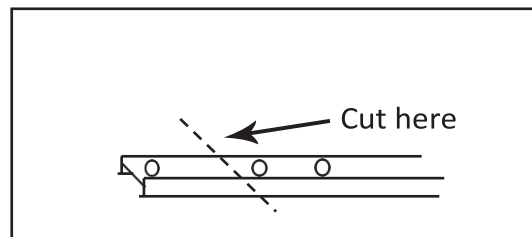
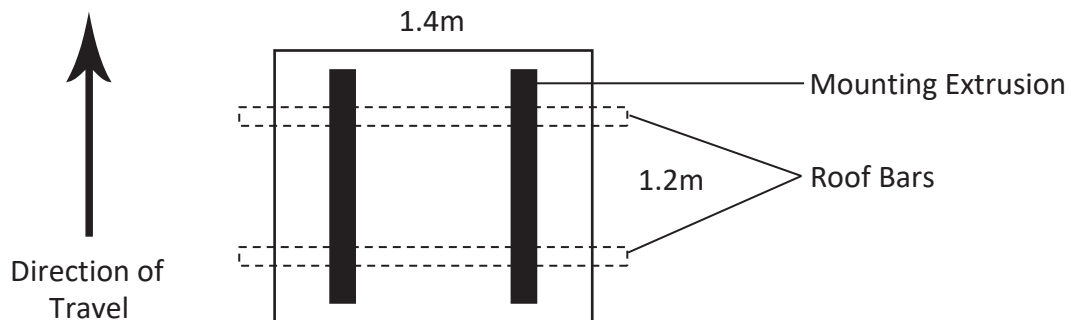


Diagram 1

The mounting extrusions are then bolted to the base of the tent at right angles to the roof rack or roof bars, in the direction of opening (along the length of the tent base).



1. Attaching the Mounting Rails to the ARB Rooftop Tent

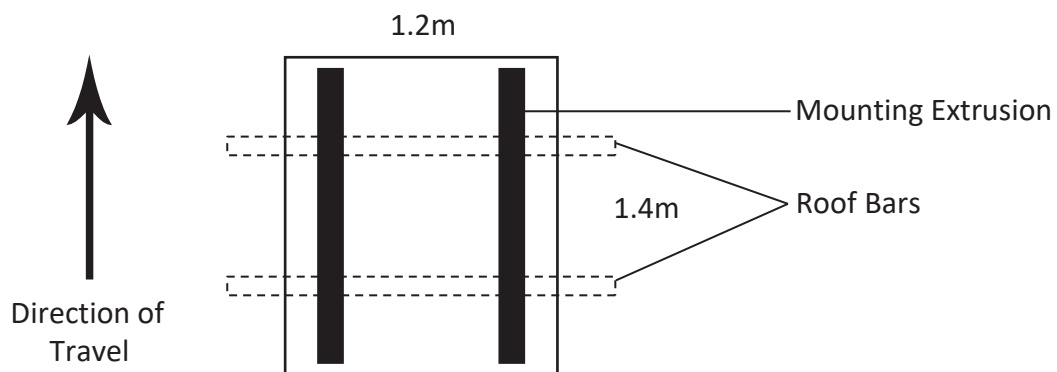
1.1. Direction of Opening (continued)

“Off the Side”

For most medium or small vehicles opening “off the side” is preferable. The advantages of this orientation are:

- allows for lift up tailgates to operate normally.
- means the closed tent pack is better balanced on the roof and creates less wind drag as the narrow face of the tent pack is travelling forward.

The mounting extrusions bolt to the base of the tent at right angles to the roof rack or roof bars (across the width of the tent base)



Once you have decided which is best suited to your application, follow the mounting instructions. If you are uncertain of the most appropriate method of mounting your rooftop tent, please contact ARB Corporation Limited or your distributor who will be happy to provide advice particular to your circumstances.

1.2. Attaching the mounting rails and Ladder

1. Remove mounting extrusion from the carton (cut as per Diagram 1 if you intend opening the rooftop tent off the rear of your vehicle.)
2. Place the tent on its side on the ground onto a clean surface.
3. Using the supplied 8mm x 40mm bolts and large washers, slide your hand in between the inside of the base and the mattress and insert the bolts into the pre-drilled holes. See Diagram 2.
4. Place the mounting extrusion into position over the bolts.
5. Slide the 8mm nuts into the mounting extrusions and tighten the bolts from inside the tent. See Diagram 2.
6. Near the outside edges of the mounting extrusion you will find holes for the self drilling screws supplied. Use the self drilling screws to attach the outside edge of the mounting extrusion to the base of the tent through the pre-drilled holes. on the outer most edge of the extrusion.

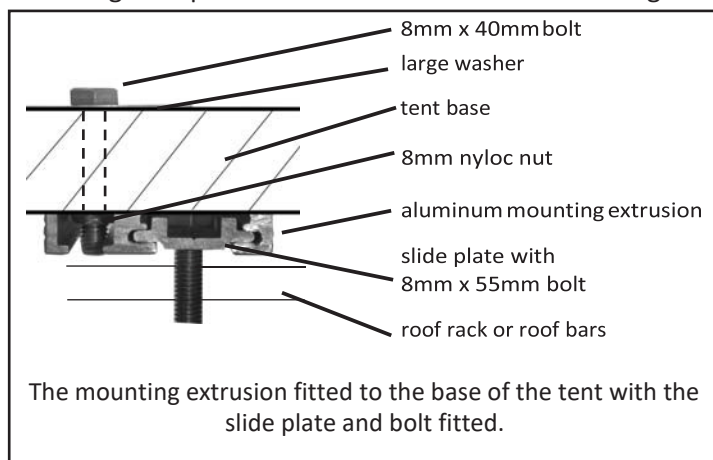


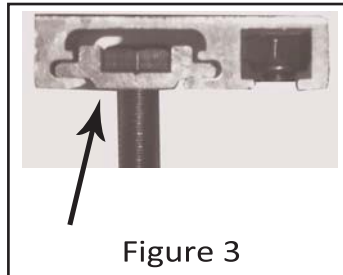
Diagram 2

1. Fold open the Ladder Mounting brackets attached to your Rooftop Tent. Mount the Ladder to the folding brackets on the top of the Rooftop tent, the spring-loaded pins on the ladder will align with the holes on the folding brackets. Once installed, the ladder should appear the same as the image below.
2. The ladder, when not in use, will sit flat in its non-operational position on top of the Rooftop Tent. See image below. The strap holding the foot end of the ladder when it is stowed on top of the Rooftop Tent must be securely tightened. This strap will hold the ladder in place when the vehicle is in motion. Failure to secure the ladder can cause injury or damage to the roof top tent. – Note the ladder can be mounted to the Tent after you have finished mounting the tent to the roof of the vehicle.
3. Note: Removing the ladder from the Rooftop Tent when the tent is not being used, will reduce the overall height of the vehicle and may make access to height restricted carparks easier. Figure 1

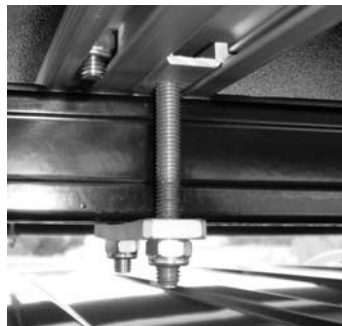


2. Fitting the Rooftop Tent to your Roof Rack or Roof Bars

1. Lift the tent onto the vehicle's roof rack or roof bars.
2. Place 8mm x 55mm bolt into the slide plate. Slide the plate and bolt into the mounting extrusion. See Figure3.



3. Attach the rooftop tent to your roof rack or roof bars in four places as per Figure 4. Use 2 bolts and 2 slide plates with the base plate to hug the bar. 1 set per corner.



4. Prior to tightening all the nuts, ensure that your rooftop tent is centered (side to side) on the roof of your vehicle and that the mounting points (as far as possible) are symmetrically positioned near each corner of the tent.

3. Rooftop Tent setup

1. Undo Ladder travel strap, by unclipping the buckle, Slide out the ladder until the locking pins engage. See Image 1A
2. Unzip the travel cover from the tent by unzipping around the 3 edges and unclip the remaining edge. See Image 2A & 3A

3. Release the hold down Velcro straps on each side of the tent. See image 4A

NB - When closing the tent, do not use excessive force on the side retaining Velcro straps. See caution on page 8.

4. The ladder can now be used as a lever to open the tent. Pull the ladder down and out so the tent unfolds like a book. See image 3A. The two bases of the Rooftop Tent lock together with a Tongue and Groove locking extrusion.

NB – While opening the Rooftop Tent, hold the transit cover well away from the tongue and groove locking extrusion to prevent damage to the cover. See image 3A. Following this caution will prevent pinching of the cover and potential damage to the locking extrusions.

NB – To avoid serious injury, ensure that your hands, fingers and any other bits are well away from the locking extrusions pinching points when the Rooftop Tent is being opened.

5. Rest the ladder on the ground, to create a flat sleeping surface inside the tent. See image 5A

Note: if the angle of the ladder is too upright or does not reach the ground you will require a ladder extension. See page 9.

Make sure the ladder is safe and will not move and climb into the Rooftop Tent. Use the two black straps inside the tent to assist in getting in and out of the tent. The Rooftop Tent has 3 bows which tension the canvas above the floor of the Rooftop Tent. The Entry bow and the Head bow are both extendable. Slide and extend out the Entry and the Head aluminum bows. To tighten the bows, rotate the tube clockwise on both sides of the bow to lock it in position. See image 6A. To Undo the bows twist anti clockwise.

Note: Do not overtighten bows, they only need to be firmly tightened

6. Unclip the bungee straps inside the tent which are there to assist in folding the tent neatly when packing the Rooftop Tent away. See Image 6A.

7. Retrieve the spring steel rods (SSR), these are used to tension the outside window awnings and flysheet. Hook the shaped end of the SSR into the eyelet of the front window awning. Insert the other end of the SSR into the hole in the base of the rooftop tent, passing through the slit in the rooftop tent skirt. This will require you to bend the SSR so that the angle of the SSR is equal to the angle of the hole into which it should be inserted. NB reverse this procedure to remove the SSR from the hole in the base of the rooftop tent. See image 7A

Your Rooftop tent is now setup. See image 7A

8. Repeat all the above steps in the reverse order to pack away your rooftop tent. When packing away your tent, depending on your bedding volume it may be necessary to take your pillows out of the tent.



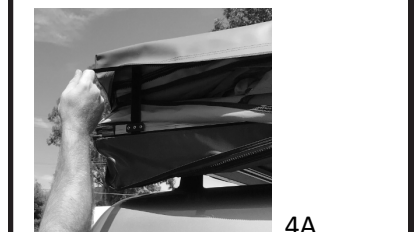
1A.



2A.



3A



4A



5A



6A



7A

Make sure tent is dried before packing away, if the tent needs to be packed away wet, please make sure it is setup as soon as possible to dry out**

4. Ladder Extension Accessory

A Ladder Extension may be required depending on the height of your vehicle (in most cases where the base of your rooftop tent is more than 2m off the ground).

If required slide ladder extension into the base of the main ladder. Position ladder and extension to an appropriate climbing angle. Drill two 8mm holes into the main ladder to accept the two locking pins from the ladder extension.

The overlap of the ladder extension to the main ladder must not be less than 240mm

The Ladder extension is stored separately in its own bag.



Sunroof & Windows

The sunroof and windows operate as per a normal tent would, these are all zippered with an external weather resistant canvas and mesh inner. In foul weather it is always recommended to have all the windows done up and awnings down in strong winds. In wet weather leaving the top of your windows open slightly to allow air flow. this can assist in reducing condensation inside the tent. The front window vent above the front door is there to reduce the condensation build up when the tent is occupied.

5. Tent Light & Power ports

The Power pole included contains a light, a 12V charging port and two USB charging ports. The Power Pole is also supplied with a 5m extension cord for connecting to a cigarette lighter port in your vehicle. Please see below for operation and setup.

1. Attach the Power Pole to the top of the center bow of the Rooftop Tent.
2. Connect the Power Pole to the connector protruding from the apex of the center bow.
3. Connect the 5m extension cord to the connector protruding from the bottom right-hand side of the center bow and through the small zip aperture in the side of the Rooftop Tent.
4. Plug the cigarette lighter end of the 5m extension cord into the cigarette lighter socket of your vehicle to provide a 12V DC power supply to the Power Pole the power pole now has power - To turn on light, touch the on off marking on the front of the light, keep pressing to change the brightness levels and too power off.

NB. To protect the electrical cables from being damaged by the tongue and groove locking extrusions of the two bases, ensure the wire protruding from the bottom right-hand side of the center bow is also protruding outside the Rooftop Tent through the small zipped aperture in the canvas.

5. The Power Pole should be removed prior to packing away your Rooftop Tent. This will prevent damage to the Power Pole due to pressure exerted on the Power Pole by other items left inside the Rooftop Tent at pack up. Additionally, this will allow for the Power Pole to be used in general use. The Power Pole will also attach to the rafter arm or leg of an ARB Awning.
6. Be careful where the 5m extension cord is packed away to ensure that the cords are not damaged by the tongue and groove extrusions locking the bases together, the next time your rooftop tent is opened.

6. Cautions, Storage and Care guide lines

Cautions

- **Do not use excessive force on side retaining Velcro straps when closing the tent.** These straps are designed only to hold the tent base together, and are not designed to be used to pull the bases together. When you are closing the tent, hold down the top folded base to compact the tent, then use the Velcro straps to secure the bases in this position. These straps will tear out of the tent if excessive force is applied to the strap.
- **Do not store the tent wet.** If you do have to pack away when the tent when wet, zip closed all canvas doors and windows to protect the inside of the tent, and pack away till weather has improved. As soon as you can, open the tent and let it dry out thoroughly to prevent mould, mildew and rot. **If the tent is to be closed up for extended periods of time it is very important that the tent is completely dry. Mould is not warranty if found to be from the tent being stored or packed up wet or damp. Dry your tent completely.**
- **Do not drill locking holes below the existing locking pin holes in the ladder.** This will weaken the structure of the ladder and can cause injury. If you need to extend the length of your ladder, please purchase a ladder extension. If you need to shorten the ladder you can drill holes above the existing ladder locking pin holes.
- **Be aware that with a rooftop tent fitted to your vehicle the overall height is increased.** You should measure the overall height of your vehicle with the rooftop tent fitted as you will need this information to decide if the vehicle can enter carparks etc. This is not covered by warranty, know your height before moving your vehicle.
- **Centre of gravity.** The attachment of a rooftop tent to your vehicle (similar to any other load on your roof rack) will alter its center of gravity. Adjust your driving accordingly.
- **In trip inspections.** Regularly check that all nuts and bolts attaching your rooftop tent to the roof of your vehicle are tight and in good repair. Check the ladder is securely fastened and locking strap is applied and in good working order. The ladder can be removed for storage or driving when not required, this will help lower your height of the tent and help keep the ladder in good working order.
- **Do not force the Zipper.** The zipper is not designed to be forced closed or to have load applied to it. Always bring the two unzipped sections of zip together and **ONLY** pull the slider in the direction of travel of the zipper, **NOT** at an angle adjacent to as this will damage the zipper and cause it to fail. If the zipper is stiff to operate, clean dust and debris from the zipper with a soft brush before opening it further. The zipper can be lubricated with commercially available zipper lubricant or paraffin wax.



6. Cautions, Storage and Care guide lines continued

Storage of the Tent

1. If the tent is stored on the vehicle for extended periods and is exposed to the elements, it is possible for the tent to absorb moisture from the air into the canvas fabric. For this reason, the tent should be opened periodically and allowed to air or dry. It is not recommended to store the tent on the vehicle during winter months or periods of extended rain. **The ladder can remove separately to lower the overall height of your vehicle.**
2. When storing the tent off the vehicle, ensure the tent is packed away completely dry and kept out of direct sunlight. If the tent is stored in humid conditions, unzip or remove the travel cover to allow the canvas to breathe and dry. **It is recommended to store the tent indoors in a warm, dry environment.**
3. Be careful not to drag the tent on the ground. This will damage the cover and allow potential water ingress the next time you use your rooftop tent.
4. Do not store directly on a concrete floor.
5. The Ladder can be removed from the Tent when you are not camping and the tent is on in just general vehicle use, this will help keep the ladder in good condition and also help reduce your height and improve aerodynamics. This is a feature of the tent that the ladder does not need to be kept on while the tent is in transit.
6. Mold and Mildew is not a defect or manufacturing fault, if the tent was found to be stored or packed up wet and not dried correctly then a full review of the warranty will be required.

Care Instructions

1. Clean all parts of the tent with cold water and a soft brush only - do not use soap or detergent as these may damage the coating on the fabric, or cause corrosion to metal and alloy parts. Pay particular attention to remove dirt, bird droppings and vegetation such as leaves as these can cause the tent to rot when packed away.
2. Clean the travel cover regularly to reduce the effects of acid rain and other air born contaminants. To extend the life of the PVC cover, regularly treat with a UV protectant such as '303 Aerospace Protectant' or 'Armor All Protectant'. **Keep harsh chemicals away from the Tent cover, Example Truck Wash.**
3. Do not expose any part of the tent to petrol, oil, solvents, harsh cleaning products or similar.
4. Zippers should be cleaned regularly by brushing with a soft brush and wiping with a damp cloth. Zippers that become stiff to operate may be lubricated periodically with commercially available zipper lubricant or paraffin wax. Note: Do not over lubricate as this may attract dust and debris.
5. New poly/cotton canvas may initially experience some weeping through the seams. This will reduce over time as the fabric cures. In a weep occurs its best to treat the weep with a seam sealer, these can be purchase from good camping supply stores.
6. Well-worn fabrics may be re-proofed using a good quality waterproofing solution.
7. Always air your tent before and after use to allow any moisture or condensation to dissipate. The travel cover has welded seams and is near water tight to keep the elements out. As soon as the travel cover is fitted and warms up in sunlight it can heat any trapped moisture which will create an environment where mould, mildew and rot can set in quickly. Please make sure you dry your tent completely before pack up.
8. If mould and mildew is found on any part of the tent fabric, allow the tent to dry thoroughly in the sun to prevent it spreading. Use a soft bristled brush to remove any particles. Mildew remover may be effective but test first on an obscure part of the tent fabric. DO NOT use any bleach solutions on the fabric as they may discolor the tent and damage the PU coating on the fabric. The best cure for mould and mildew is to prevent its growth in the first place by ensuring the tent is packed and stored thoroughly dry.

7. Warranty Terms and Conditions

The ARB Touring Rooftop Tent comes with a 3-year (36 month) warranty, effective from the date of purchase.

The warranty covers all aspects of workmanship, finish and fabric.

Our goods come with guarantees that cannot be excluded under the Australian Consumer Law. You are entitled to a replacement or refund for a major failure and compensation for any other reasonably foreseeable loss or damage. You are also entitled to have the goods repaired or replaced if the goods fail to be of acceptable quality and the failure does not amount to a major failure.

If this product requires warranty, please return to your closest ARB store accompanied with your receipt of purchase, batch code number located on the hinge of the tent. Warranty period of 3 years from Date of purchase applies to this product.

ARB Corporation Ltd excepts no responsibility for any damage caused by external factors, i.e. trees, corrugations, shopping center carparks, packing the tent away wet etc.



ARB Corporation Limited

Ph: +61 3 9761 6622

www.arb.com.au