



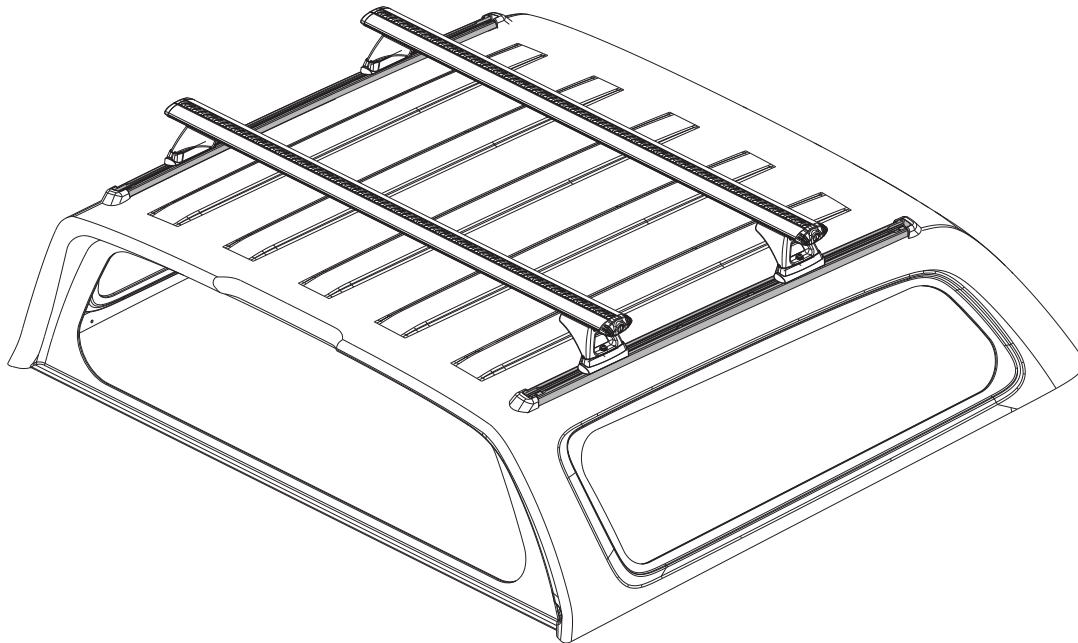
CONTROLLED

RHINO-RACK

Aeroklas Canopy Track System

Important: Please read these instructions carefully prior to installation. Please refer to your fitting instruction to ensure that the Canopy Rack System is installed in the correct location. Check the contents of kit before commencing fitment and report any discrepancies. Place these instructions in the vehicle's glove box after installation is complete.

Layout



Maximum load carrying capacity: 80kg / 176lbs

Important Information

1. Check Part No./Kit is correct
2. Read through instruction before installing
3. Fit roof rack accessory
4. Check and recheck all fasteners are secure

Maximum carrying capacity:

(70-80kg (154-176lbs) check the vehicle specific load ratings) including the weight of the rack system **5kg (11lbs)**.

Please refer to your vehicle manufacturers handbook for maximum carrying capacity. Always use the lower of the two figures. Load must be evenly distributed over the entire basket. Note: Some Aeroklas Canopies hold a lower rating. Always refer to the canopy manufacturer for this rating.

Warning: Do not attempt to fit the canopy rack system to your vehicle unless you fully understand these fitting instructions. Please direct any questions regarding fitting to the dealer from where the roof racks were purchased.

Use only non-stretch fastening ropes or straps.

Recommendations: It is essential that all bolt connections be checked after driving a short distance when you first install your roof racks. Bolt connections should be checked again at regular intervals (once a week is enough, depending on road conditions, usage, loads and distances travelled). You should also check the roof racks each time they are re-fitted. Always make sure to fasten your load securely. Please also ensure that all loads are evenly distributed and that the centre of gravity is kept as low as possible and must be entirely contained within the extents of the roof racks.

Canopy Rack System must be removed when putting vehicle through an automatic car wash.

Caution: The handling characteristics of the vehicle changes when you transport a load on the roof. For safety reasons we recommend you exercise extreme care when transporting wind-resistant loads. Special consideration must be taken into account when cornering and braking.

Off-road use:

The Canopy Rack System may be used in off road applications, however a safety factor of 2 is enforced. That is, maximum permissible off road load is **40kg 88lbs**). Although the crossbars are tested and approved to AS1235-2000, off-road conditions can be much more rigorous. Increasing the number of crossbars does not increase the vehicles maximum permissible roof loading.

Note for Dealers and Fitters:

It is your responsibility to ensure these fitting instructions are given to the end user or client.

Rhino-Rack 3 Pike Street, Rydalmere,

NSW 2116, Australia.

(Ph) (02) 9638 4744

(Fax) (02) 9638 4822

Document No: R380

Prepared By: Kayle Everett

Authorised By: Chris Murty

Fit Time: 1h 30min

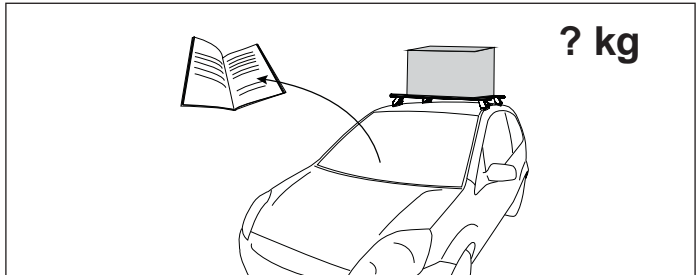
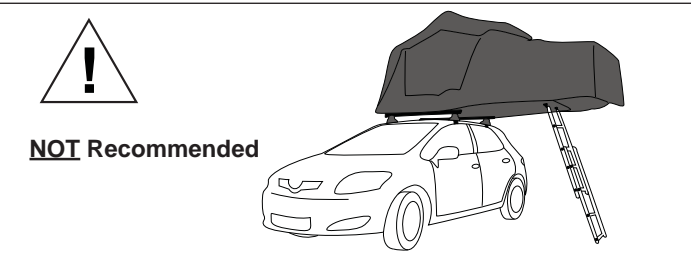
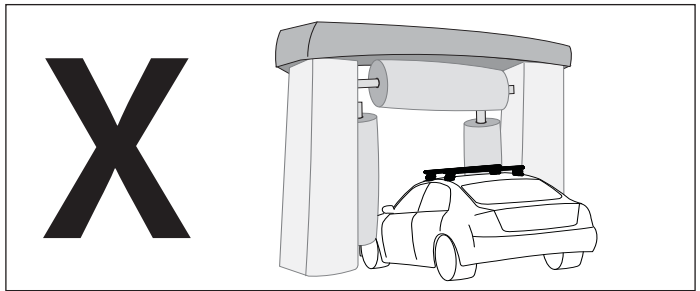
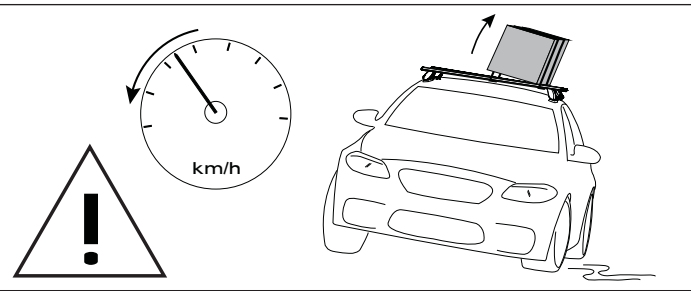
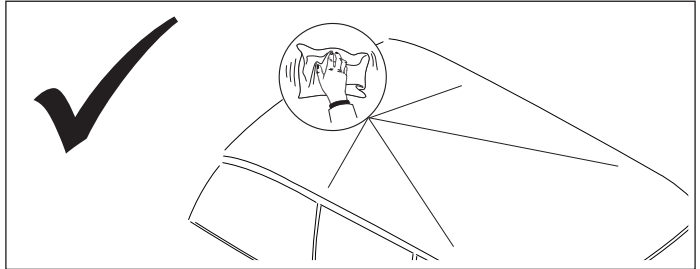
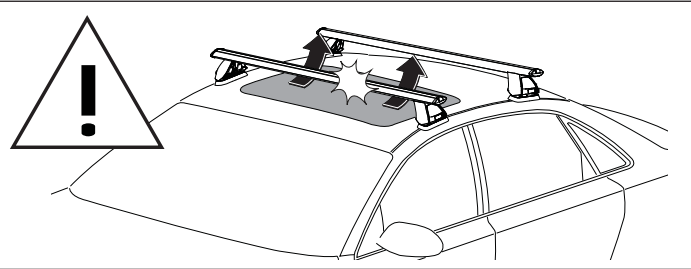
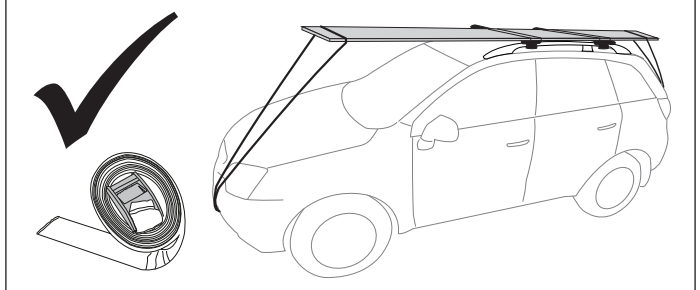
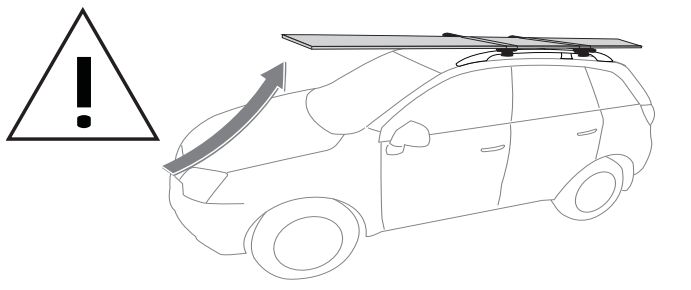
Issue No: 10

Issue Date: 29/03/2016

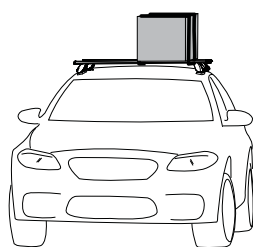
These instructions remain the property of Rhino-Rack Australia Pty. Ltd. and may not be used or changed for any other purpose than intended.



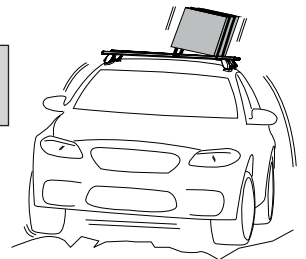
Aeroklas Canopy Track System



When these roof racks are to be used on a vehicle that is driven off sealed roads, the maximum roof rack load rating should be **divided by 2.0**. Do not forget to subtract 5kg from your maximum carrying capacity due to the weight of the crossbars and legs.

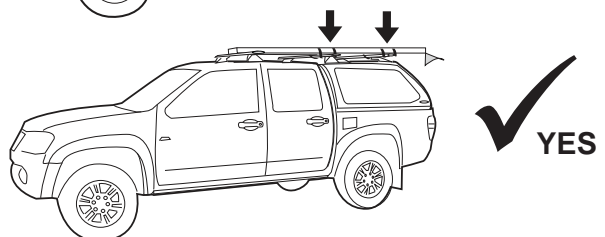
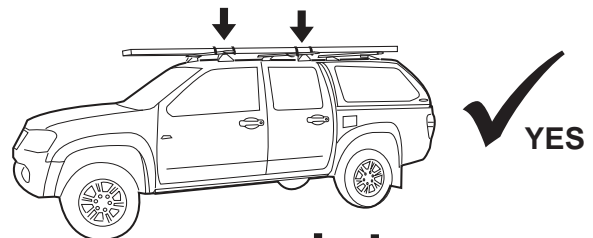
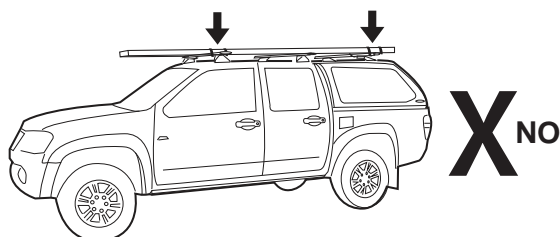


80kg load rating (Urban road) = **40kg load rating** (Off road - 80kg / 2)



WARNING! Important Load Carrying Instructions

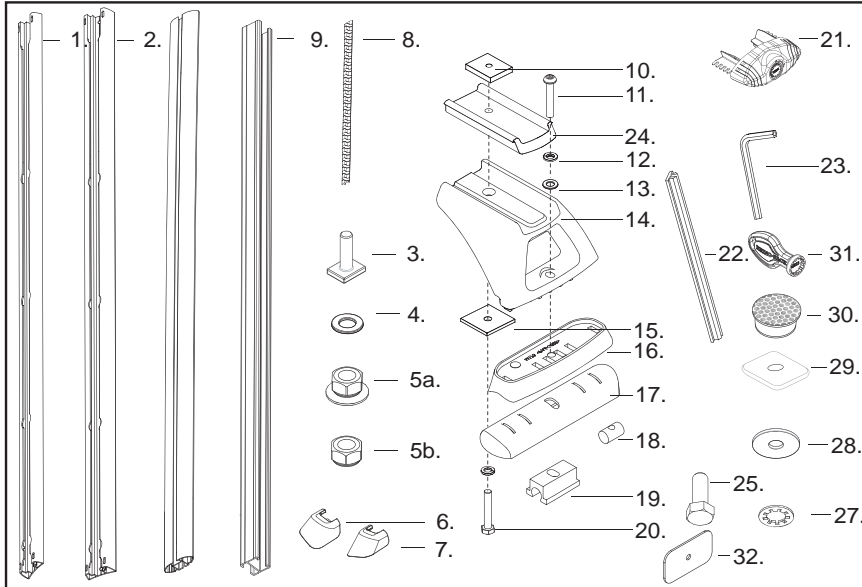
With utility vehicles, the cabin and the canopy move independently. Roof racks and vehicle can be damaged if the item transported is rigidly fixed at points on both the cabin and canopy. Instead, rigidly fix to either the cabin roof racks or the canopy roof racks.





Aeroklas Canopy Track System

Parts List



Vehicle	Kits Used
DMAX/Colorado	ARKL01(2) + ARKB05(2) + ARKT01(1)
Amarok	ARKL01(2) + ARKB05(2) + ARKT06(1)
Hilux	ARKL01(2) + ARKB03(2) + ARKT05(1)
Navara	ARKL01(2) + ARKB01(2) + ARKT03(1)
Triton 07/06 - 04/15	ARKL01(2) + ARKB03(2) + ARKT04 (1)
Triton 04/15 on	ARKL01(2) + ARKB04(2) + ARKT07
Navara NP300	ARKL01(2) + ARKB05(2) + ARKT08
Hilux Dual Cab 10/15 on	ARKL01(2) + ARKB05(2) + ARKT09

Item	Component Name	ARKT01		ARKT03		ARKT04		ARKT05		ARKT06		ARKT07	
1	Track - Right	A619	1	A624	1	A649	1	A625	1	A624	1	A725	1
2	Track - Left		1		1		1		1		1		1
3	M6x20mm T-bolt	B209	16	B209	12	B209	14	B029	12	B209	8	B209	16
4	1/4x3/4 flat washer	W054	16	W054	-	W054	14	NA	-	NA	-	W054	16
5a	M6 Nut Cap Nut Mutter	NA	-	N070	12	NA	-	N070	12	NA	-	NA	-
5b	M6 Nyloc Nut	N069	16	N069	-	N069	14	NA	-	N069	8	N069	16
6	Track End Cap	M277	2	M277	2	M277	2	M277	2	M277	2	M277	2
7	Track End Cap	M278	2	M278	2	M278	2	M278	2	M278	2	M278	2
29	Butyl Patch 20x20	CA1266	-	CA1266	12	CA1266	14	CA1266	12	CA1266	8	CA1266	16
30	ARK Canopy Plug	NA	-	CA1323	12	NA	-	CA1323	12	NA	-	NA	-
32	M6 Plate Washer	NA	-	NA	-	NA	-	NA	-	C664	8	NA	-

Item	Component Name	ARKT08		ARKT09	
1	Track - Right	A767	1	A770	1
2	Track - Left		1		1
3	M6x20mm T-bolt	B209	16	B209	16
4	1/4x3/4 flat washer	W054	16	W054	16
5a	M6 Nut Cap Nut Mutter	NA	-	N070	-
5b	M6 Nyloc Nut	N069	16	N069	16
6	Track End Cap	M277	2	M277	2
7	Track End Cap	M278	2	M278	2
29	Butyl Patch 20x20	CA1266	16	CA1266	16
30	ARK Canopy Plug	NA	-	NA	-

Note: Parts list continued on page 4.



Aeroklas Canopy Track System

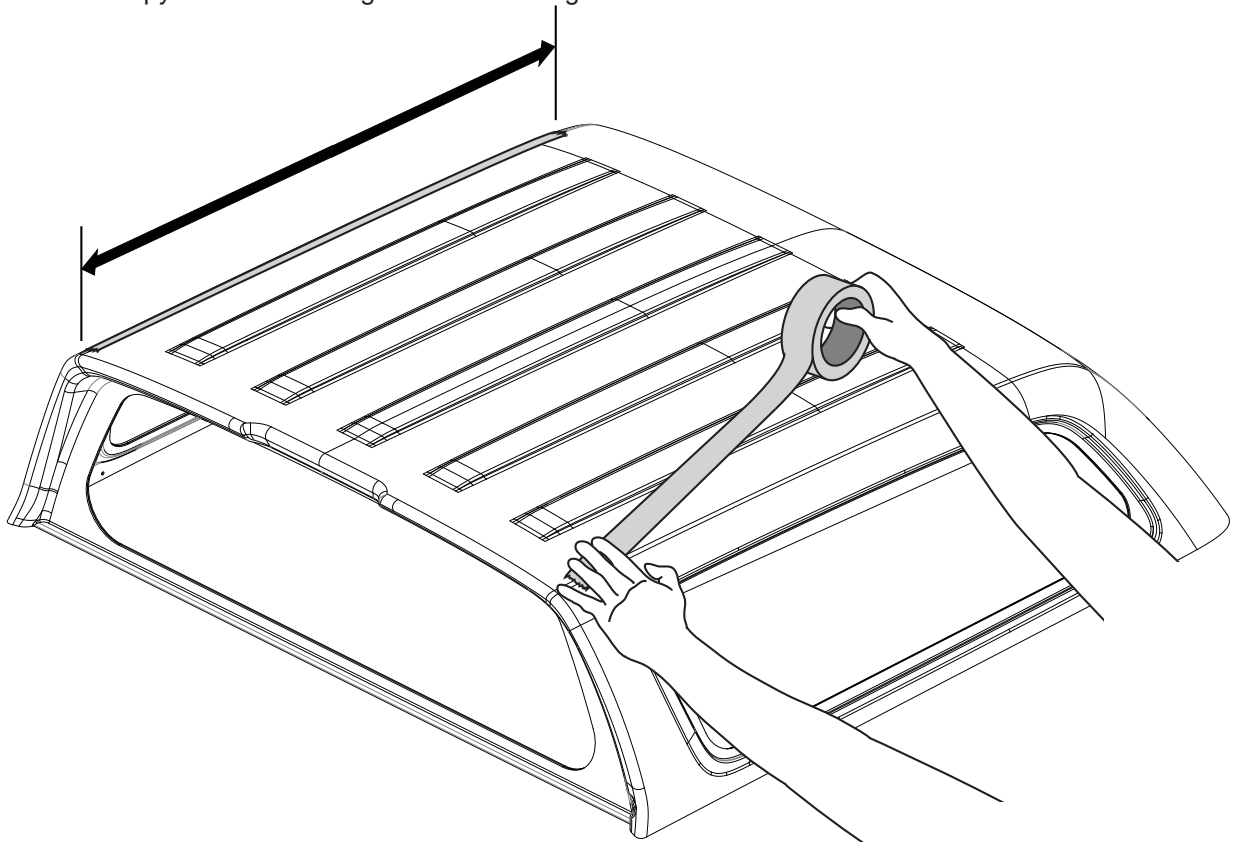
Item	Component Name	ARKB01		ARKB02		ARKB03		ARKB04		ARKB05	
8	Rubber Strip	M626	3.5	R004	3.5	M626	3.5	M626	3.5	M626	3.5
9	Bar	A592	1	A020A	1	A590	1	A591	1	A593	1
21	End Cap	M640	2	M002	2	M640	2	M640	2	M640	2
22	VA measurement strip	M641	2	NA	-	M641	2	M641	2	M641	1
31	Secure Core Key	M623	1	M623	1	M623	1	M623	1	M623	1

Item	Component Name	ARKL01		ARKL02		ARKL03		ARKL04		Tools Needed
10	M6 Rectangular Nut	N035A	2	NA	-	N035A	2	N035A	2	1. 10mm Wrench 2. Tape Measure 3. 6.5 Drill Bit 4. Drill 5. Masking Tape 6. Marker 7. Vacuum 9. Torque Wrench 10. Soldering Iron 11. 17mm Speedbor 12. Butyl Mastic 13. Allen Key (provided)
11	M6x40mm Sec Screw	B085	2	B085	2	B085	2	B085	2	
12	M6 Spring Washer	W004	2	W004	2	W004	2	W004	2	
13	M6x12.5 Flat Washer	W003	2	W003	2	W003	2	W003	2	
14	RLCP Leg	M123	2	M123	2	M559	2	M559	2	
15	M6 Square Washer	W037	2	NA	-	W037	2	W037	2	
16	RLT Top Pad	M173	2	M173	2	M173	2	M173	2	
17	RLT Bottom Pad	M172	2	M172	2	M172	2	M172	2	
18	M6x16mm D Nut	A341	2	A341	2	A341	2	A341	2	
19	6mm D Nut Housing	N027	2	N027	2	N027	2	N027	2	
20	M6x30mm Hex Bolt	B202	2	B202	-	B202	2	B202	2	
23	5mm Sec Allen Key	H021	1	H021	1	H021	1	H021	1	
24	VA adaptor block	M155	2	M155	-	M155	2	M155	2	
25	M10x20 Hex Setscrew	NA	-	B003	2	NA	-	B003	2	
26	M10 Channel Nut	NA	-	N024	2	NA	-	N024	2	
27	M10 Int S/P Washer	NA	-	W021	2	NA	-	W021	2	
28	M10x38 Flat Washer	NA	-	W022	2	NA	-	W022	2	
33	Fitting Instruction	R380	1	R380	1	R380	1	R380	1	

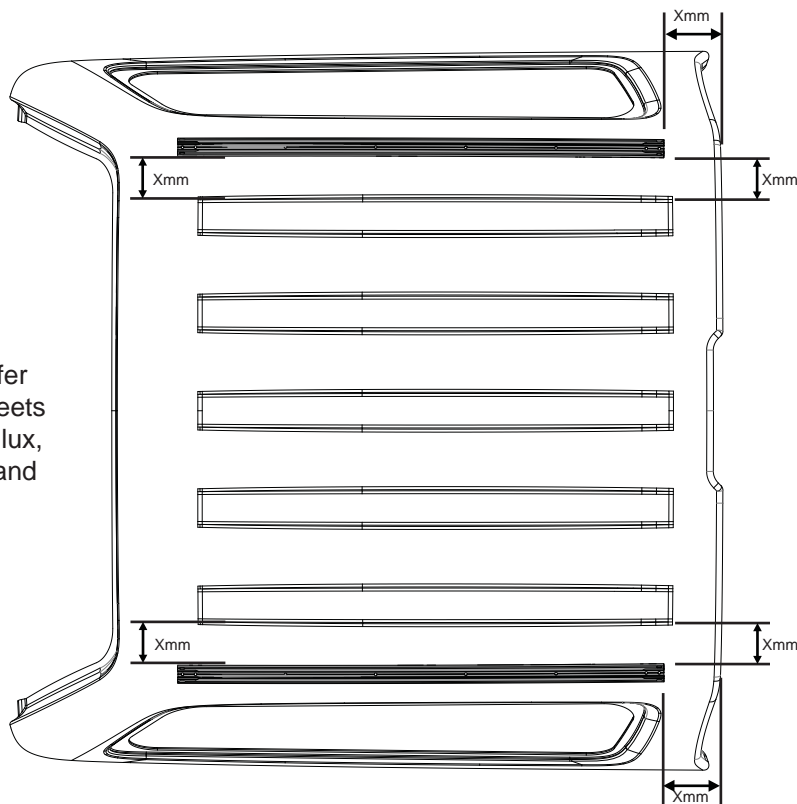


Aeroklas Canopy Track System

- 1 Place masking tape onto the canopy to adequately cover the approximate area to be drilled protecting the polished canopy finish from being scratched during installation.



- 2 Position the track on the canopy according to supplement associated with your vehicle. Mark a line on the canopy at the end of tracks. Remove tracks and with a straight edge, join lines to use as reference point. **IMPORTANT: Double check measurements are equal (front & rear) to ensure tracks are parallel prior to drilling.**



Note: Image as example only. Refer to supplement sheets for this step for Hilux, Amerok, Navara and Triton.

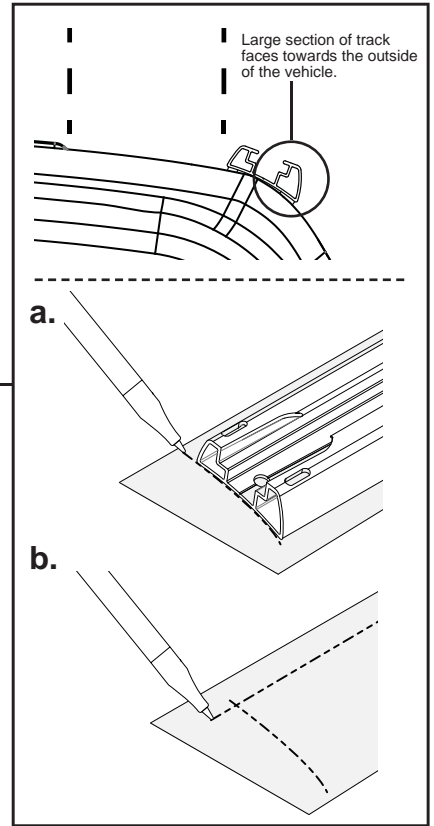
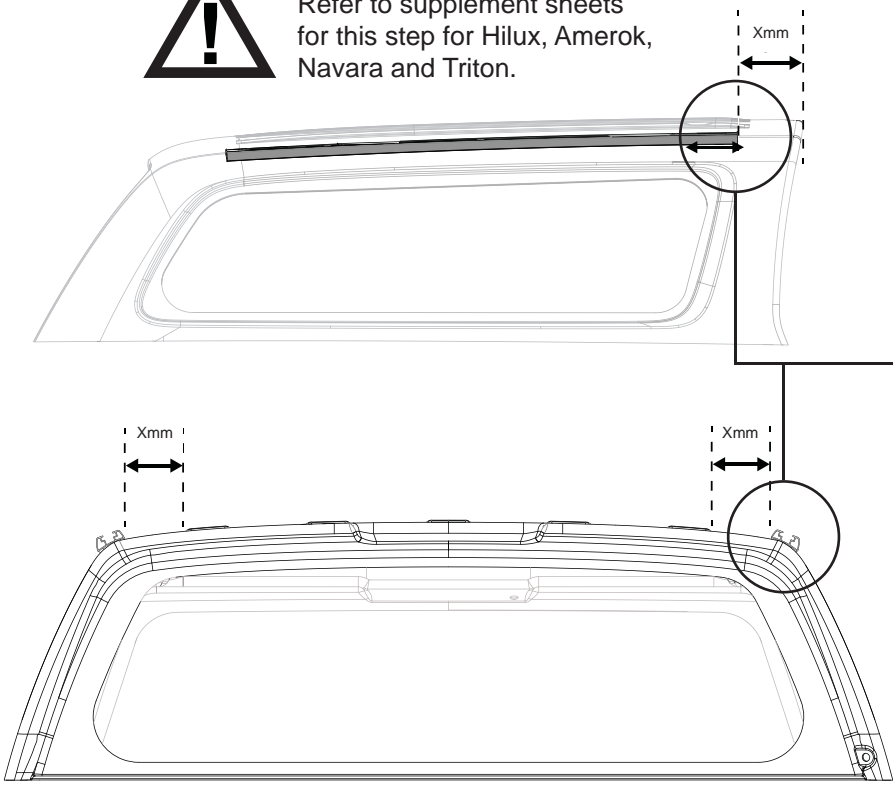


Aeroklas Canopy Track System

2 cont.

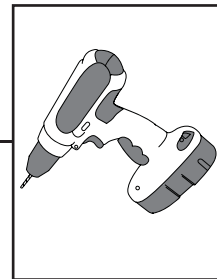
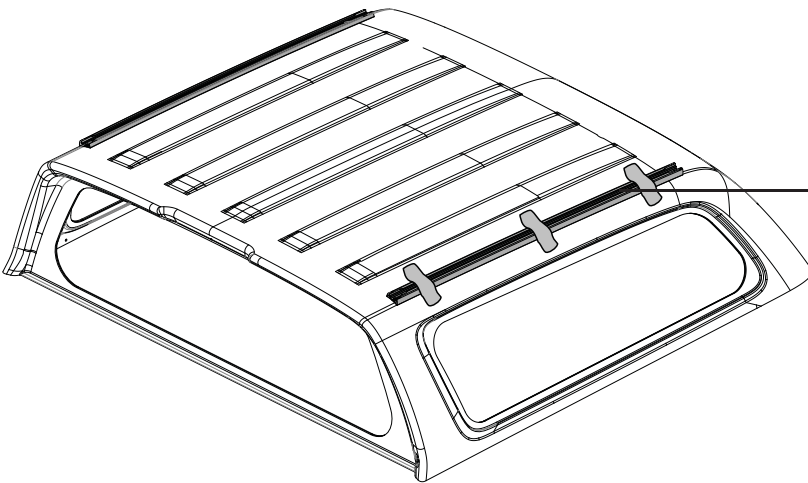


Note: Image as example only. Refer to supplement sheets for this step for Hilux, Amerok, Navara and Triton.



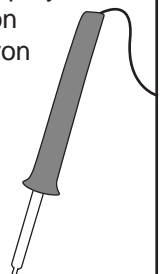
3

Once in position, using the masking tape, apply 3 strips at the front, middle and the rear of the track as shown. This allows the track to be held in position. Using a sharp Ø6.5mm drill bit, hold the drill perpendicular to the surface of the canopy, apply minimal pressure and proceed to drill. Make sure both the inner and outer skins are drilled through. Remove any swarf with a vacuum.



Drill Slowly

Note: Prepare for the next step by switching on soldering iron now.

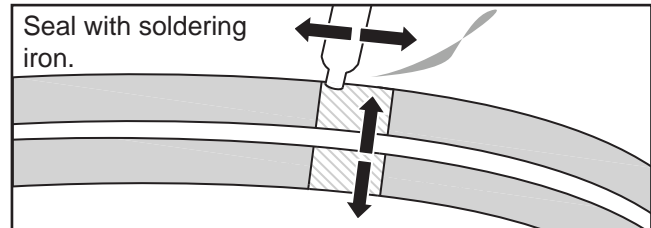
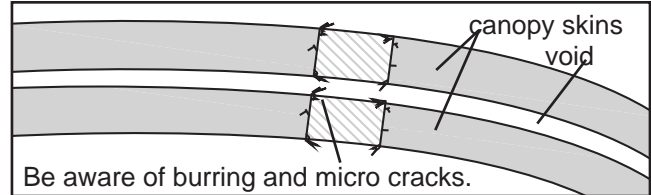
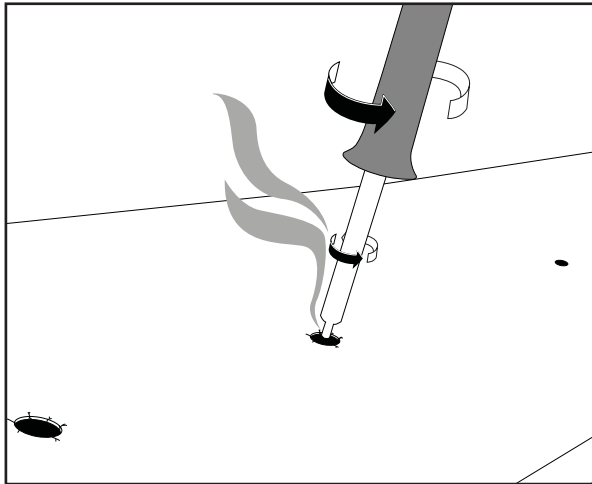


Note: Image to suit Ranger. Refer to supplement sheets for this step for Hilux, Amerok, Navara and Triton.

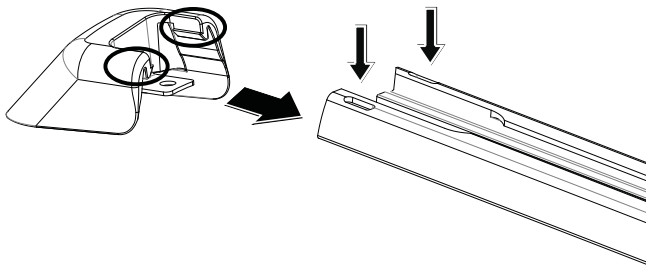


Aeroklas Canopy Track System

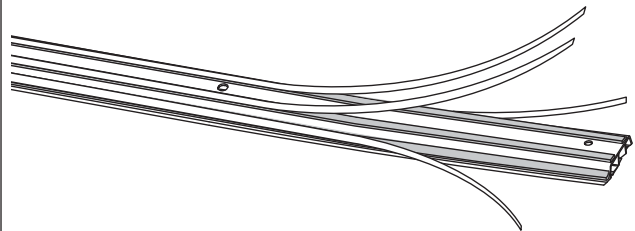
- 4** Using a soldering iron, slowly run the hot tip around the circumference of the drilled hole three time. This will seal the ABS from any microcracks that may be present after drilling.



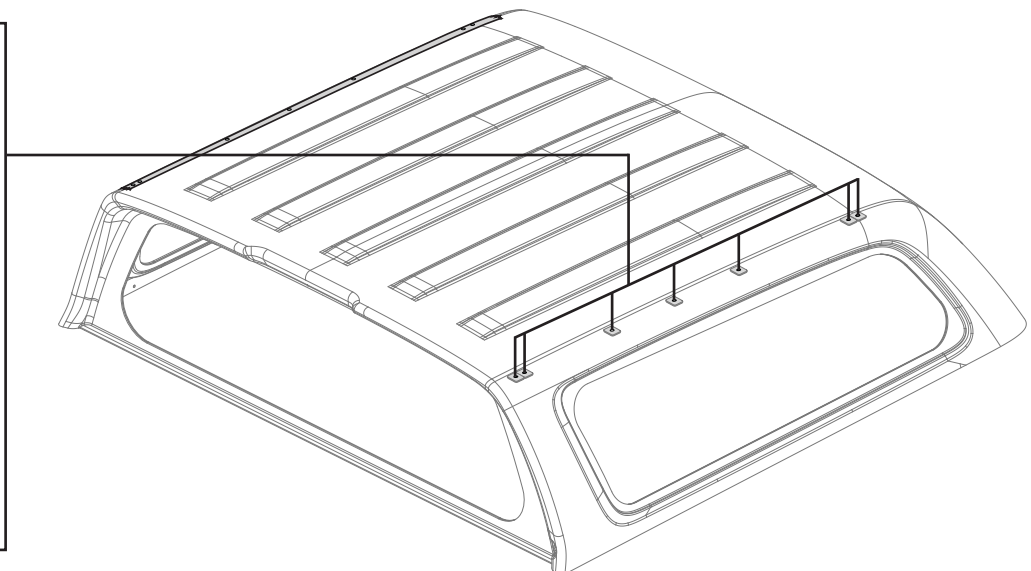
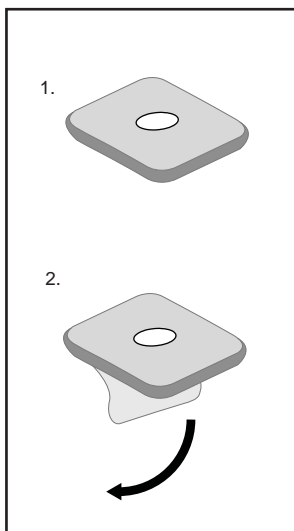
- 5** To install the end caps, push the top tabs of the end cap through the slots in the track as shown. (A non oil based lubricant may be used to assist pushing the tabs through). Ensure that the lower tongue is positioned underneath the track and align with the hole.



- 6** Remove the backing tape from the track mount.



- 7** It is required to apply Butyl Patches to the holes drilled in the outer skin before fixing the track. Remove the masking tape from the roof of the canopy and clean the top surface with a damp microfibre cloth. Remove the backing tape from the butyl patches and place over drilled holes in the canopy.

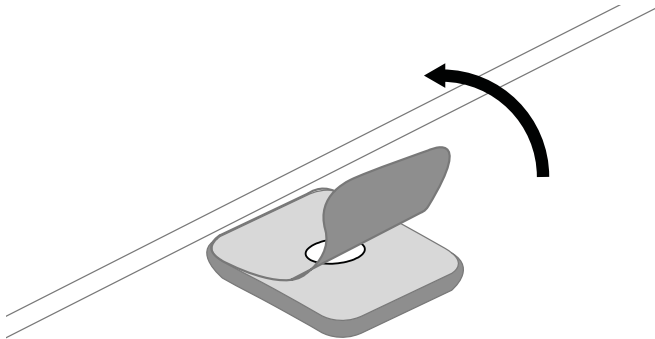


Note: Image as example only. Amount of patches provided in kits will vary depending on vehicle.

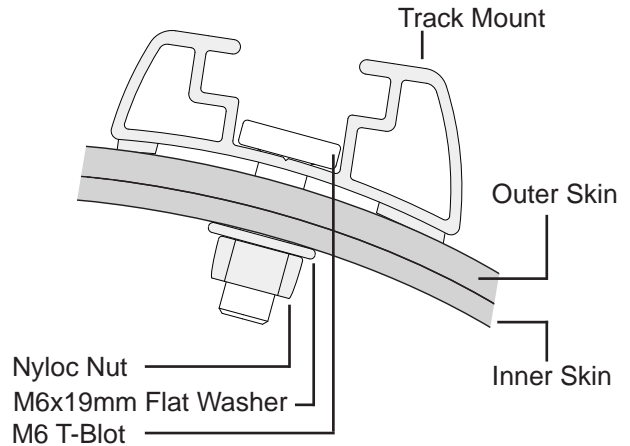


Aeroklas Canopy Track System

8 If patches were used, remove the protective tape from the top of each butyl patch.



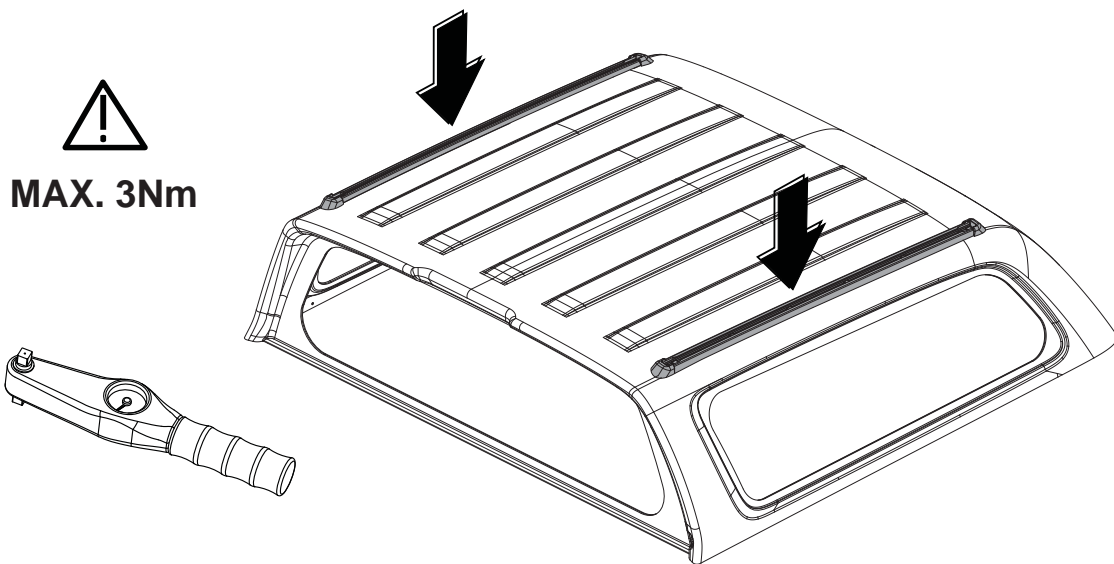
9 Install the track using 1x M6 t-bolt, 1x M6x19mm flat washer, 1x M6 nyloc nut. Using holes drilled.



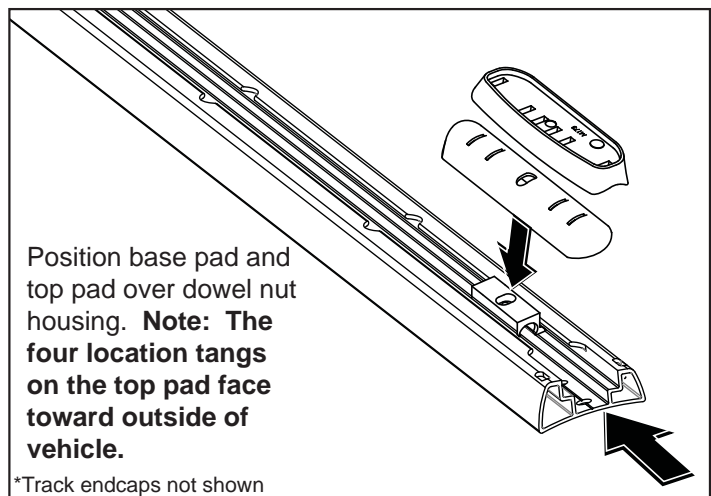
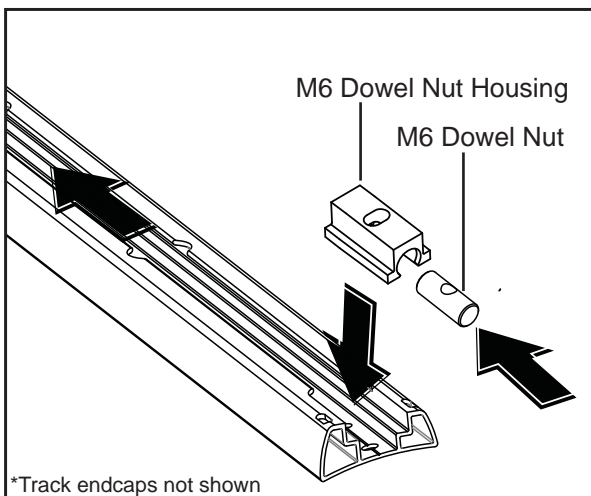
Note: Aeroklas 5 kits refer to supplement.

Note: Repeat Steps 1-9 for opposing side

10 Tighten the 16x M6 nyloc nuts to 3Nm starting from the centre, alternating each side working towards the front and rear of the track. Be careful not to overtighten as this may cause deformation to the internal ABS skin.



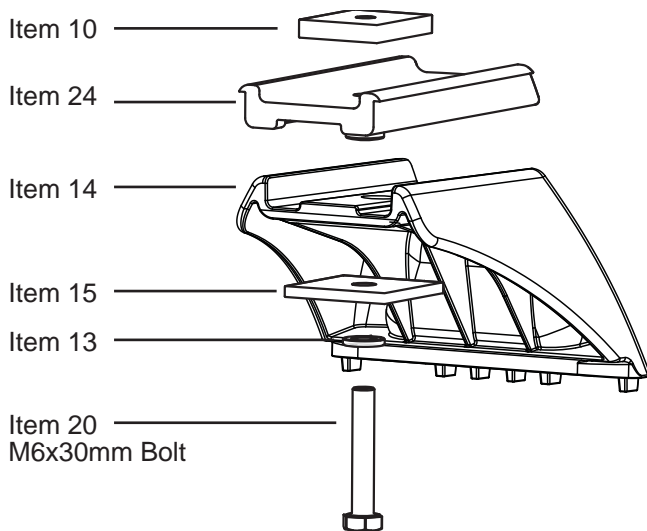
11 Assemble the track using parts as shown



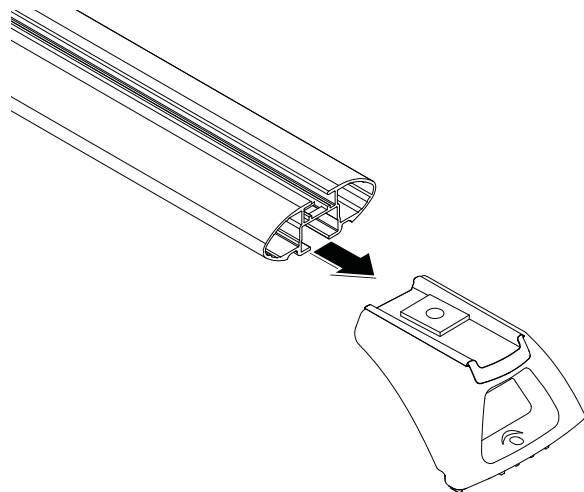


Aeroklas Canopy Track System

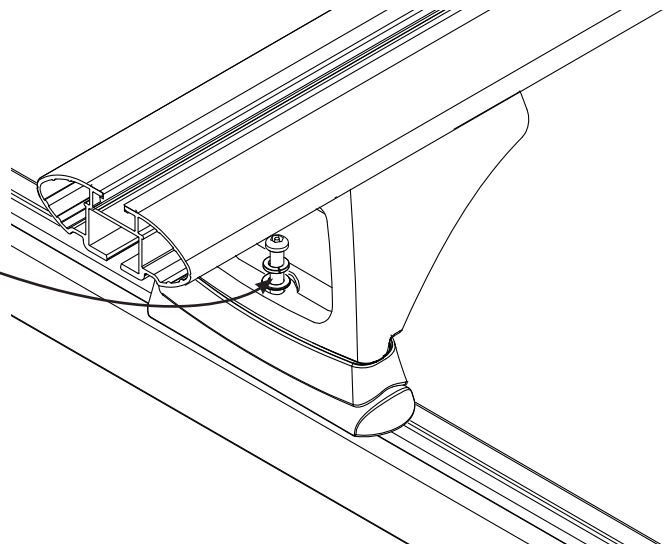
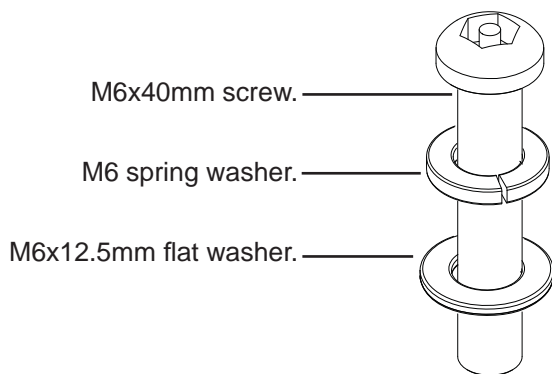
12 Assemble Leg as shown.



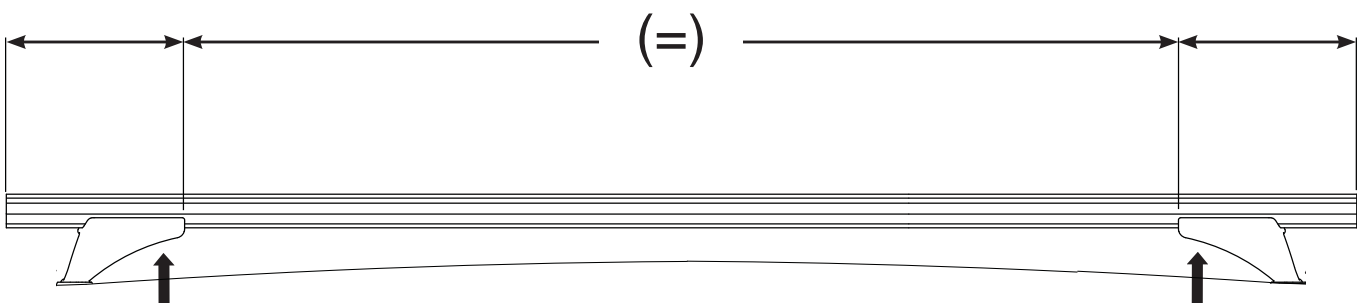
Insert Leg into cross bar, finger tighten



13 Fasten the four legs using the allen key supplied. Tighten M6x40mm screws. Recommended torque setting is 3-4 Nm.



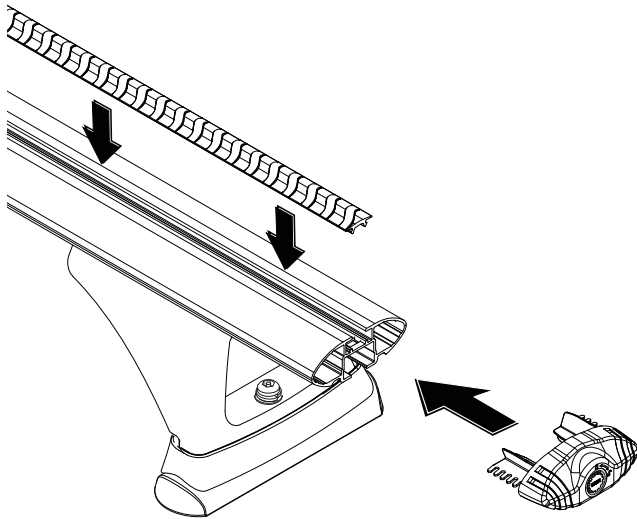
14 Adjust crossbar overhang to be equal on both sides. Tighten M6 crossbar bolts to 3-4Nm.



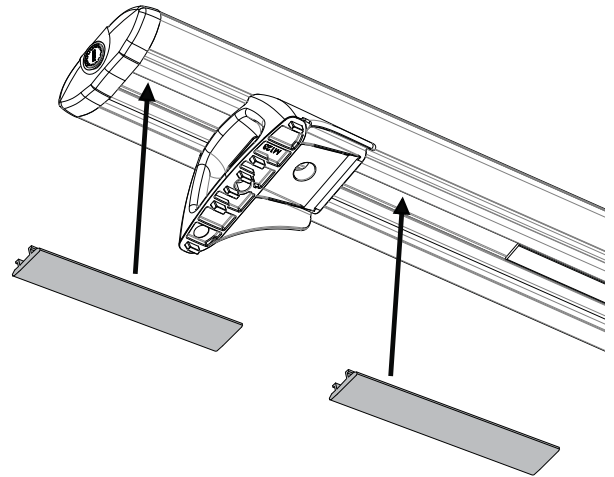


Aeroklas Canopy Track System

15 Insert the end caps into each end of the roof bars.



16 Measure the slot each side of the leg and cut the bar measurement strips to these lengths. Clip each piece into the bottom slots of the roof bar and ensure they are fully inserted.



17 Check all fasteners are secure.

