



RHINO-RACK

Rhino Fixed Mount Canopy Leg Set RFMC/RFMPC

Place these instructions in the vehicle's glove box after installation is complete.

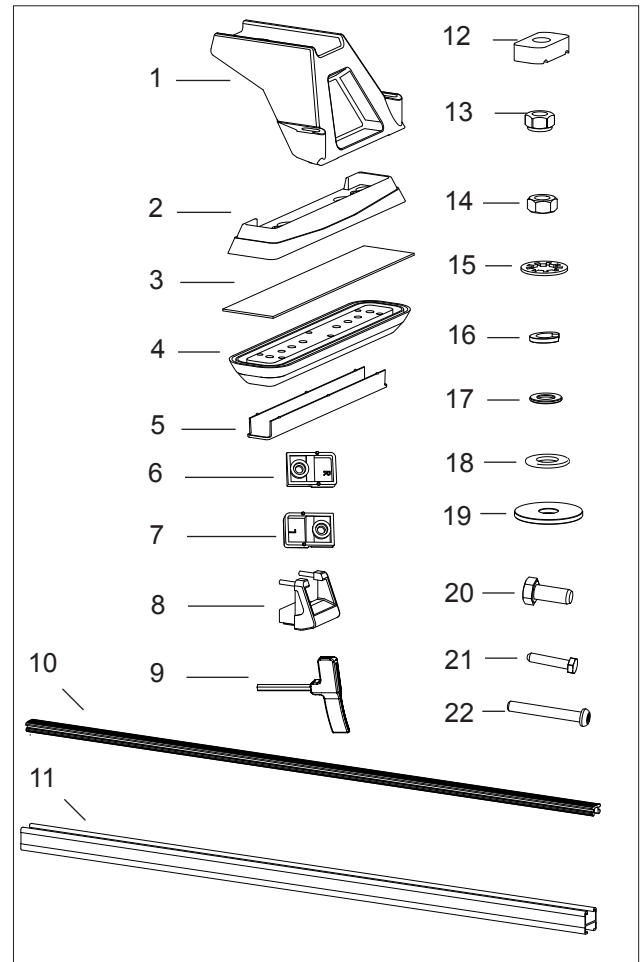
Important:

Please read these instructions carefully prior to installation.

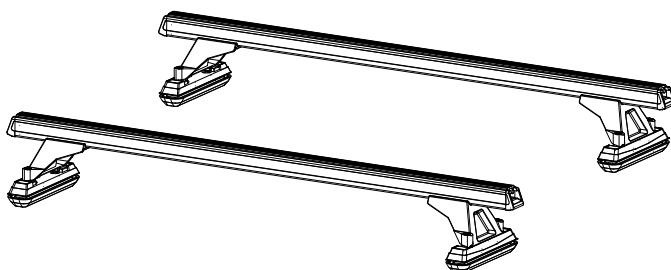
Parts List

Important: Check the contents of kit before commencing fitment and report any discrepancies.

| Item | Component Name | Qty. | Part No. |
|------|--|------|----------|
| 1 | Commercial Fixed Mount Leg. | 2 | |
| 2 | Commercial Fixed Mount Pad. | 2 | M040 |
| 3 | Foam Pad. | 2 | C135 |
| 4 | GE Pad. | 2 | M088 |
| 5 | GE Cover. | 2 | M089 |
| 6 | Commercial Fixed Mount Pad Insert (R). | 2 | M042 |
| 7 | Commercial Fixed Mount Pad Insert (L). | 2 | M041 |
| 8 | Bar End Cap sold separately. | | |
| 9 | 5mm Security Allen Key. | 1 | TORKEY-S |
| 10 | Commercial Rubber Strip. | | |
| 11 | Commercial Bar. | | |
| 12 | M10 Channel Nut. | 2 | N024 |
| 13 | M6 Nyloc Nut. | 4 | N013 |
| 14 | M6 Hex Nut. | 4 | N022 |
| 15 | M10 Shakeproof Washer. | 2 | W021 |
| 16 | M6 Spring Washer. | 4 | W004 |
| 17 | M6 x 12.5mm Washer. | 4 | W003 |
| 18 | M6 x 16mm Washer. | 4 | W031 |
| 19 | M10 x 38 Washer. | 2 | W022 |
| 20 | M10 x 25 Hex Set Bolt. | 2 | B071 |
| 21 | M6 x 25 Hex Set Bolt. | 4 | B067 |
| 22 | M6 x 45 Button Security Bolt. | 4 | B091 |
| 23 | Instruction Manual | 1 | RR92 |

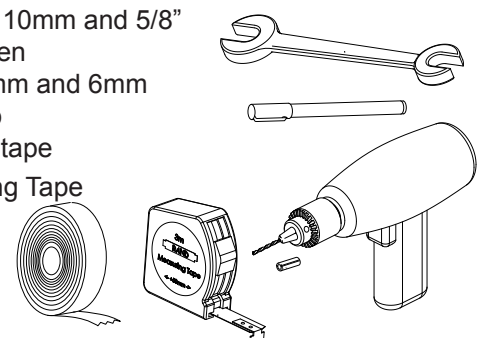


Layout

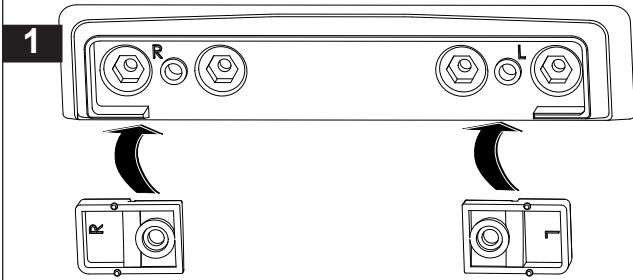


Tools Required:

- Spanner 10mm and 5/8"
- Felt tip pen
- Drill 6.5mm and 6mm
- Drill Stop
- Masking tape
- Measuring Tape



Insert the fixed mount pad inserts left and right into each fixed mount pad as shown.

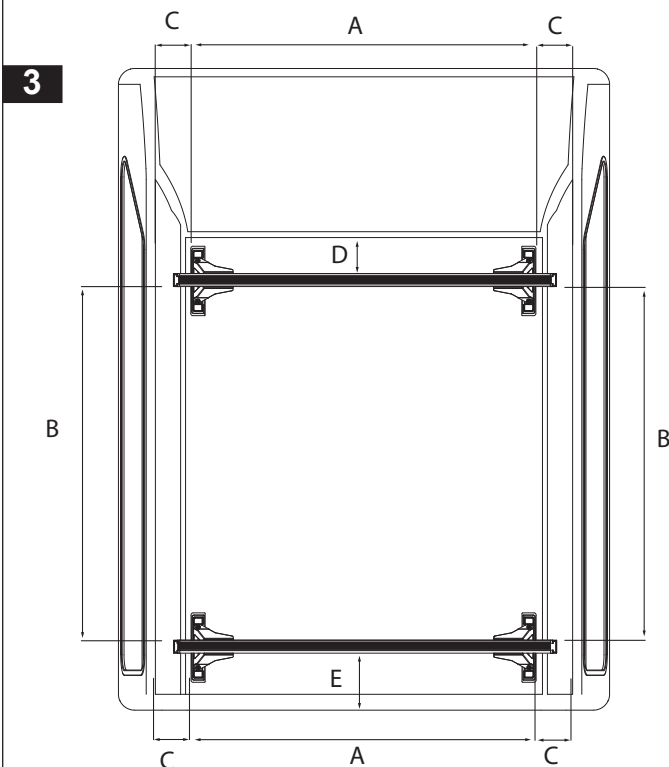


Locate masking tape so when pad location is finalised holes can be marked out as shown in figure 5.

When the crossbars, pads and leg supports have been assembled, leg positioning must be decided. The pads must be fitted as far apart as possible on the outer edge of the canopy. The pad base must still have full contact with the canopy.

Make sure crossbars are parallel and all corner pads are centrally located.

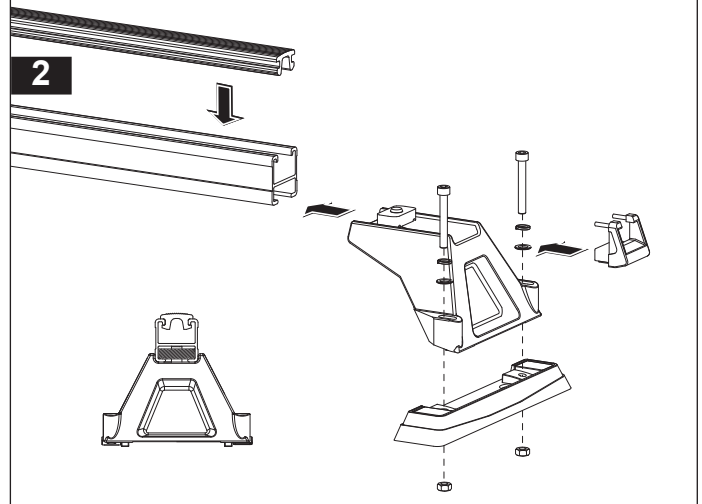
Once location has been decided check on underside of canopy that the backing plate will not foul on anything.



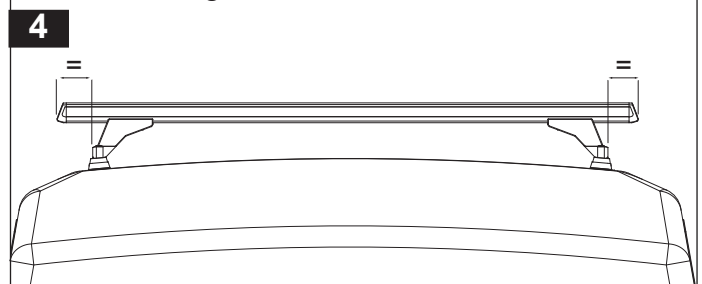
A and A are to be equal
 B and B are to be equal
 C and C are to be equal
 D and D are to be equal
 E and E are to be equal

Next attach each fixed mount pad to a commercial leg using M6 x 45mm cap screws and finger tighten.

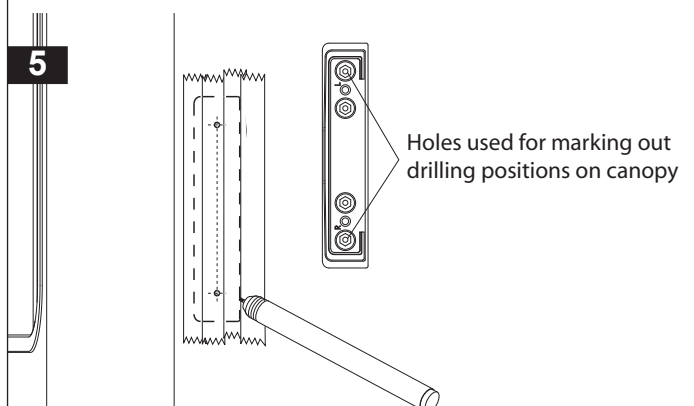
Then attach 2 leg assemblies to each crossbar. Loosen the M10 x 25mm bolt attached to the channel nut, this will make it easier when sliding the channel nut into the crossbar channel. Rotate the bolt clockwise to allow the channel nut to lock into position. If the channel nut does not rotate into position, loosen the bolt and repeat. **It is essential that the channel nut rotates into lock position. Do not tighten.**



Adjust bars so there is an equal overhang on the left and right hand side.



Remove pad from leg assembly, unclip inserts and place pad over marked outline. Mark out the 2 hole positions for each pad.

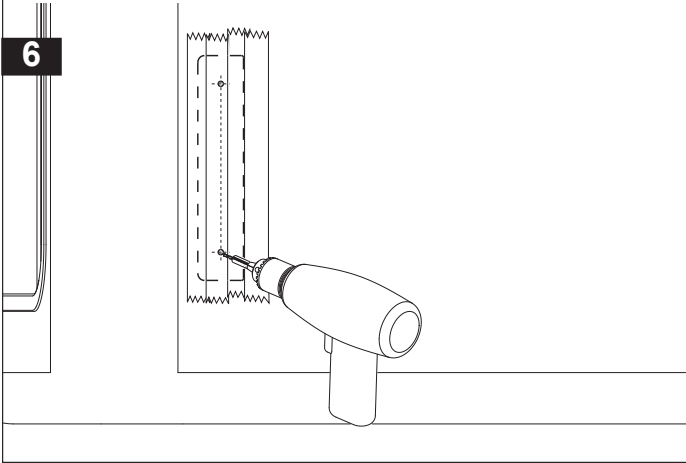


Place the drill stop on the drill to prevent damaging the canopy.

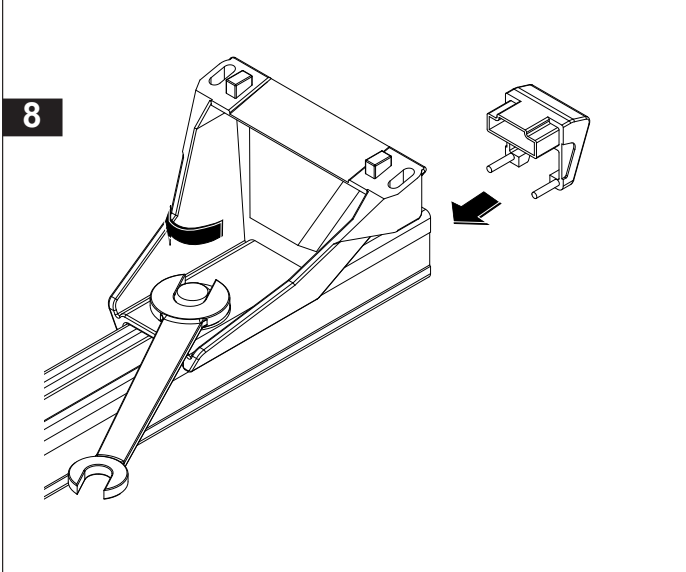
Using a 6.5mm drill bit, drill the marked out holes.

Please note: You must drill out holes in pad with a 6mm drill (existing holes are 5mm in diameter). After all holes have been drilled, the utmost care must be taken to remove all drill swarf.

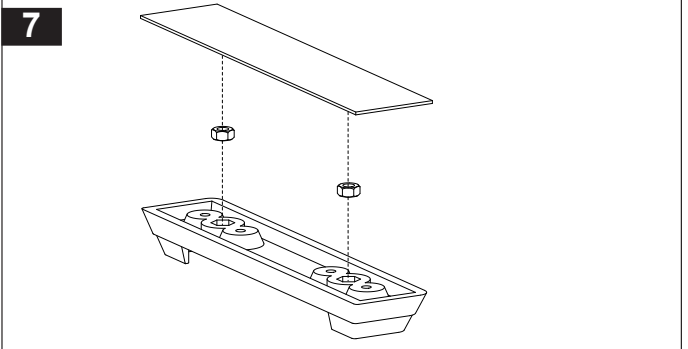
Remove masking tape and clean canopy.



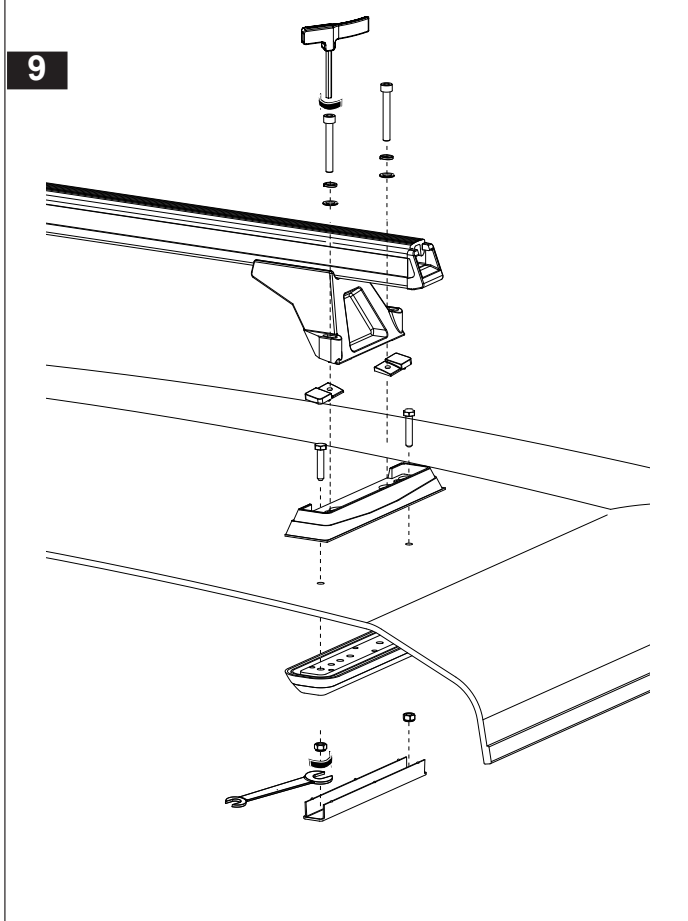
Tighten each leg to the crossbar to a torque of 20Nm. Place two end caps on each crossbar.



Turn pads upside down. Place M6 nuts into the moulded nut hole as shown. Remove adhesive tape from the gasket and place the adhesive side onto the pad to hold the nuts in place. Trim off excess gasket from edge of pad.



Assemble each leg assembly and attach to the canopy. Tighten each bolt to a torque of 5Nm.



Important information:

Maximum carrying capacity : Due to the varying thickness and strengths of Canopies Rhino-Rack can not recommend a weight carrying capacity. Refer to the canopy manufacturer.

It is essential that all bolt connections are checked after driving a short distance when you first install your Rhino-Rack. Bolt connections should be checked again at regular intervals (probably once a week is enough, depending on road conditions, usage, loads and distances travelled). You should also check the roof bars each time they are refitted.

Crossbars and accessories should be cleaned and all screw threads should be lubricated at regular intervals. Rhino-Rack offers a 3 year warranty to the original purchaser of the Rhino-Rack Track Mount System and Accessories. Rhino-Rack cannot be held responsible for incorrect mounting of the Track Mount System and Accessories or for usage that exceeds vehicle and production tolerances. Make sure to fasten your load securely. Please ensure that all loads are evenly distributed and that the centre of gravity is kept as low as possible.

USE ONLY NON-STRETCH FASTENING ROPES OR STRAPS.

SENSITIVITY TO CROSSWINDS BEHAVIOUR IN CURVES AND BRAKING.

The handling characteristics of the car change when you transport a load on the roof. For safety reasons, we recommend you exercise extreme care when transporting wind resistant loads, special consideration must be taken into account when braking.

PLEASE REMOVE CROSSBARS WHEN PUTTING VEHICLE THROUGH AN AUTOMATIC CAR WASH.

LOAD RATINGS

Please refer to vehicle specific manual for load rating. When roof bars are to be used in extreme off-road conditions please build a safety factor of 1.5 into the load rating. Although roof bars are tested and approved to AS1235-2000, Australian road conditions can be much more rigorous.

Note for dealers and fitters. It is your responsibility to ensure instructions are given to the end user or client.

RHINO - RACK No: 03
Prepared By: Joseph Ormrod
Issue No: RR92 Authorised By: Gary England
Issue Date: 22/12/2014

Rhino-Rack
3 Pike Street, Rydalmere,
NSW 2116, Australia.
(Ph) (02) 9638 4744
(Fax) (02) 9638 4822