



RHINO-RACK

Aerodynamic & Heavy Duty Roof Rack Systems

Rhino Heavy Duty Fit Kit (31102)

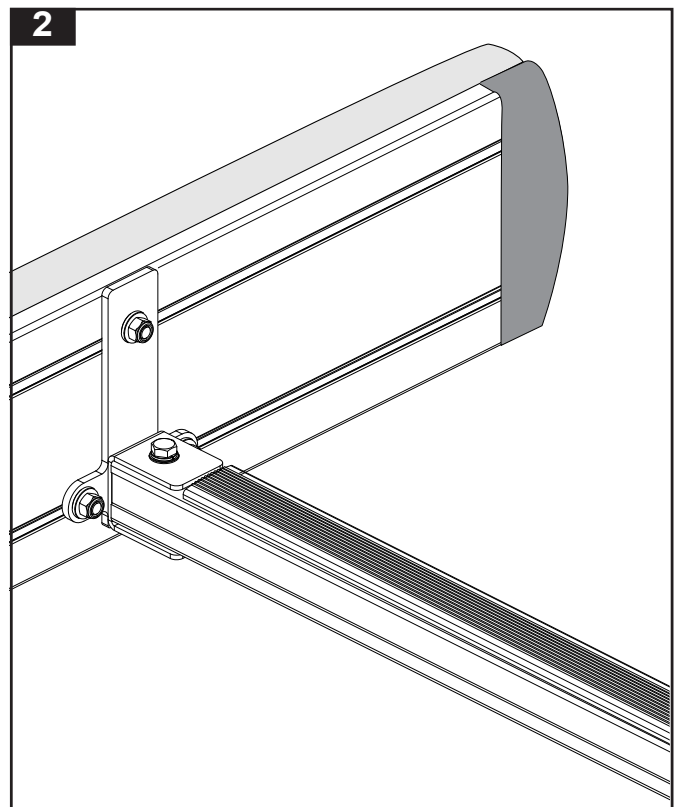
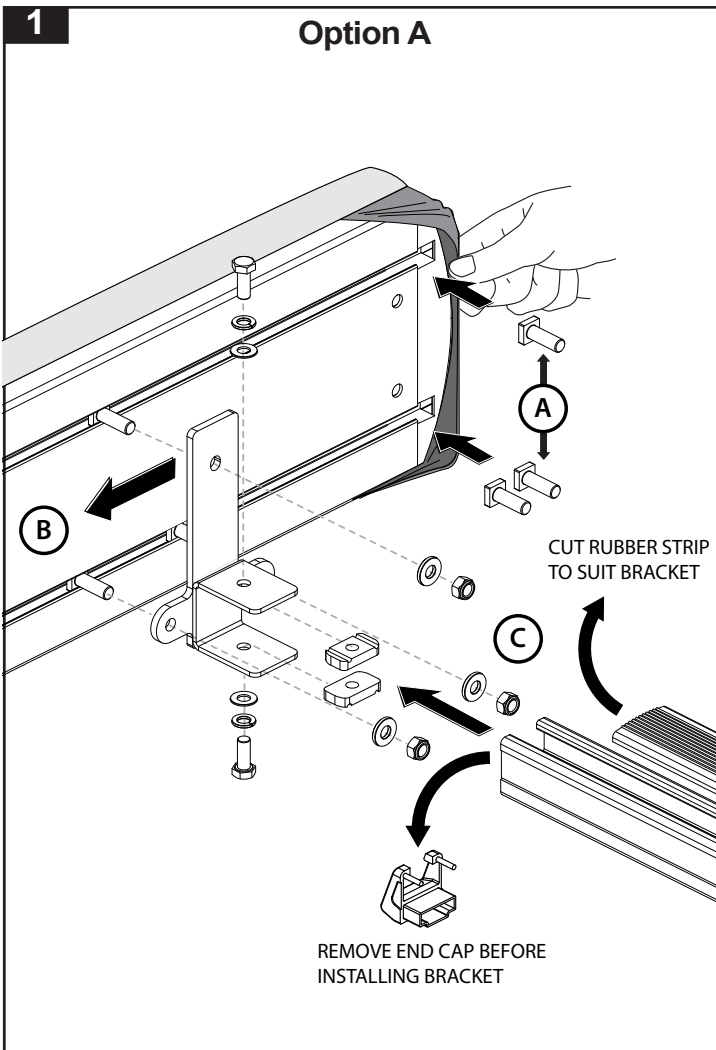
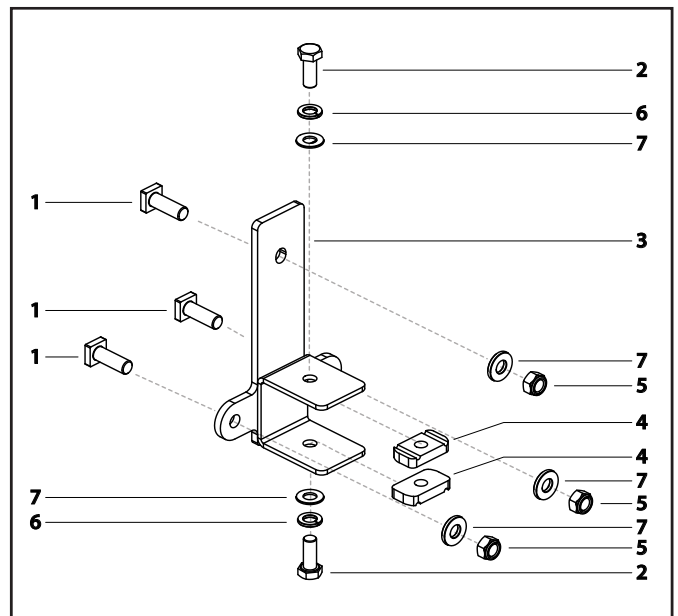
Place these instructions in the vehicle's glove box after installation is complete.

Important: Please read these instructions carefully prior to installation. Check the contents of kit before commencing fitment and report any discrepancies

This kit is to be used in conjunction with the fitting kit supplied with your Rhino Rack FOXWING Awning by OZTENT

Parts List

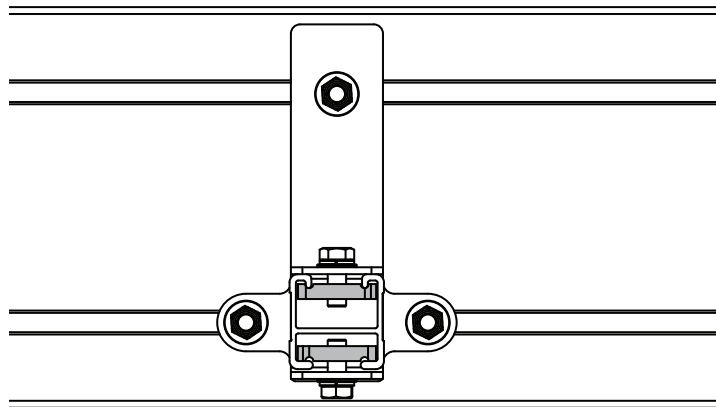
Item	Component Name	Qty	Part No.
1	M8 x 20 T-Bolt	6	B096
2	M8 x 20 Hex Screw	4	B020
3	Foxwing HD Bracket	2	C714
4	M8 Channel Nut	4	N003
5	M8 Nyloc Nut	6	N028
6	M8 Spring Washer	4	W019
7	M8 x 17 Flat Washer	10	W020
8	Fitting Instructions	1	RR212





Rhino-Rack FOXWING Heavy Duty Bracket

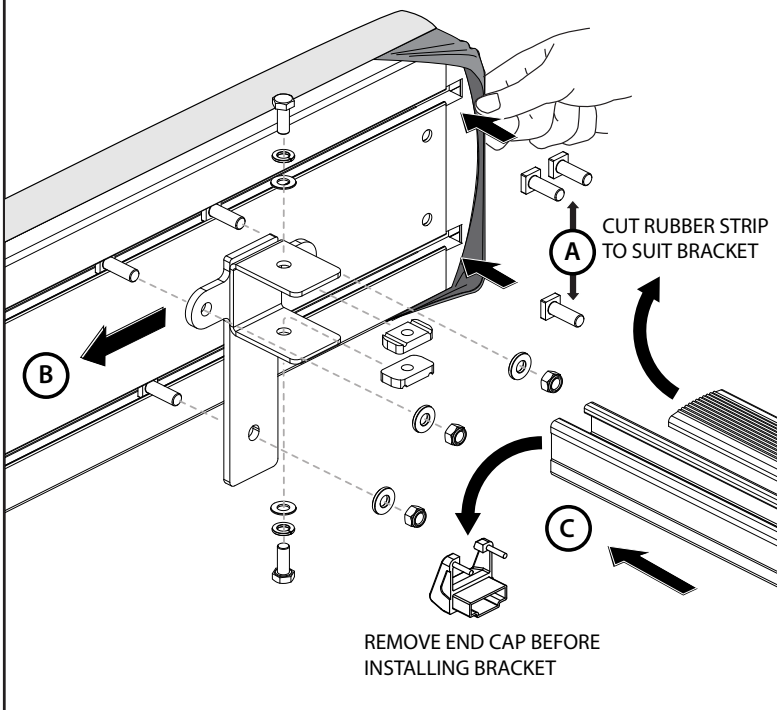
3



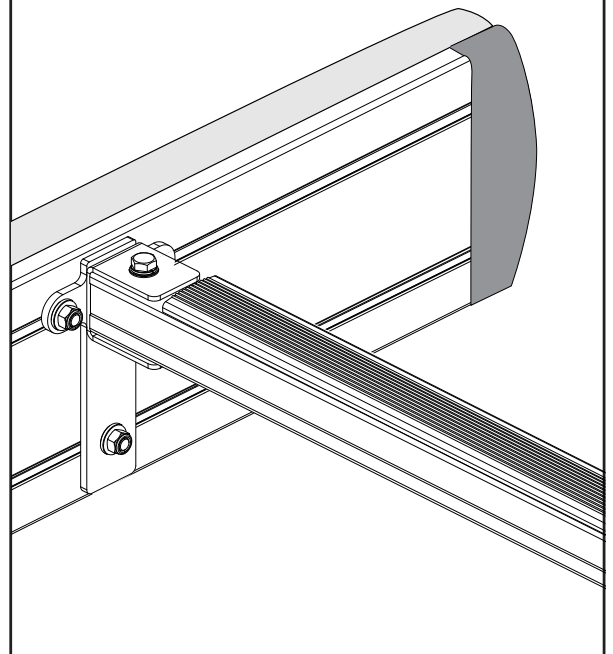
Channel nuts must sit across the bar when tightened

1

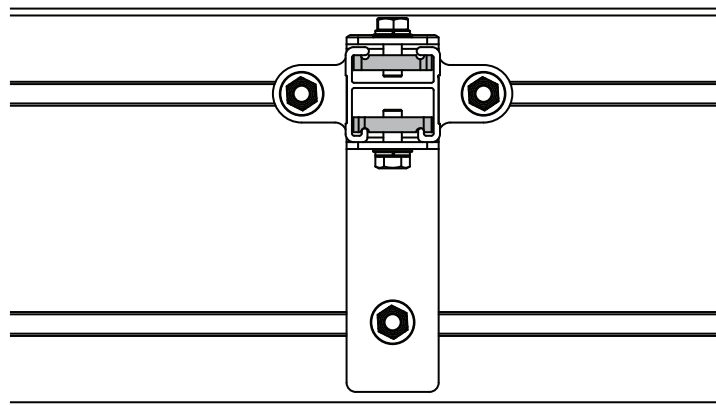
Option B



2



3



Channel nuts must sit across the bar when tightened