

ARB AIR LOCKER *Air Operated Locking Differentials*

RD121 Toyota 8" IFS, 53mm BRNG

Specs:

Axle Spline	30 tooth, Ø33mm [1.31"]
Ratio Supported	3.73:1 & down
Ring Gear ID	126.0mm [4.96"]
Ring Gear OD	200mm [8"]
Ring Gear Bolts	10 bolts on Ø160mm [6.30"]
Ring Gear Torque	95Nm [70 ft-lb]
Backlash	0.15-0.25mm [0.006-0.010"]

ITEM #	QTY	DESCRIPTION	PART #	NOTES
01	1	BONDED SEAL	160702	
02	1	CLUTCH GEAR	050806	
03	8	RETURN SPRING	150113	
04	1	LONG CROSS SHAFT	060204	
05	1	SPIDER BLOCK	070201	
06	1	DIFFERENTIAL CASE	013008	
07	3	CROSS SHAFT RETAINING PIN	120601	
08	---	TAPERED ROLLER BEARING	NOT SUPPLIED	
09	1	SHIM KIT	SHK009	
*	1	MASTER SHIM	150352	
10	1	SEAL HOUSING ASSEMBLY	081805	
11	2	SEAL HOUSING O-RING	160207	1
12	---	TAPERED ROLLER BEARING	NOT SUPPLIED	
13	1	FLANGE CAP ASSEMBLY	027308	
14	1	LOCKING SIDE GEAR	SEE NOTE	2
15	4	PINION THRUST WASHER	151110	
16	4	PINION GEAR	SEE NOTE	2
17	2	SHORT CROSS SHAFT	060403	
18	1	SIDE GEAR	SEE NOTE	2
19	2	SIDE GEAR THRUST WASHER	151010	
20	2	CSK SCREW	200213	
21	2	ANTI-FRICTION BUSHING (PTFE)	160804	
*	1	BULKHEAD KIT	170111	
*	1	PUSH-IN FITTING (5mm to 1/8" BSPP)	170201	
*	1	NIPPLE (1/8" to 1/8" BSPT)	170501	
*	1	NYLON AIR LINE (5mm DIA X 6m)	170301	
*	1	SOLENOID VALVE (12V)	180103	
*	1	SWITCH	180209	
*	1	SWITCH COVER (FRONT)	180210	
*	10	CABLE TIE	180301	
*	1	WARNING LABEL	210101	
*	1	BUMPER STICKER	210102	
*	1	OPERATION & SERVICE MANUAL	210200	
*	1	INSTALLATION GUIDE	2102121	

Notes:

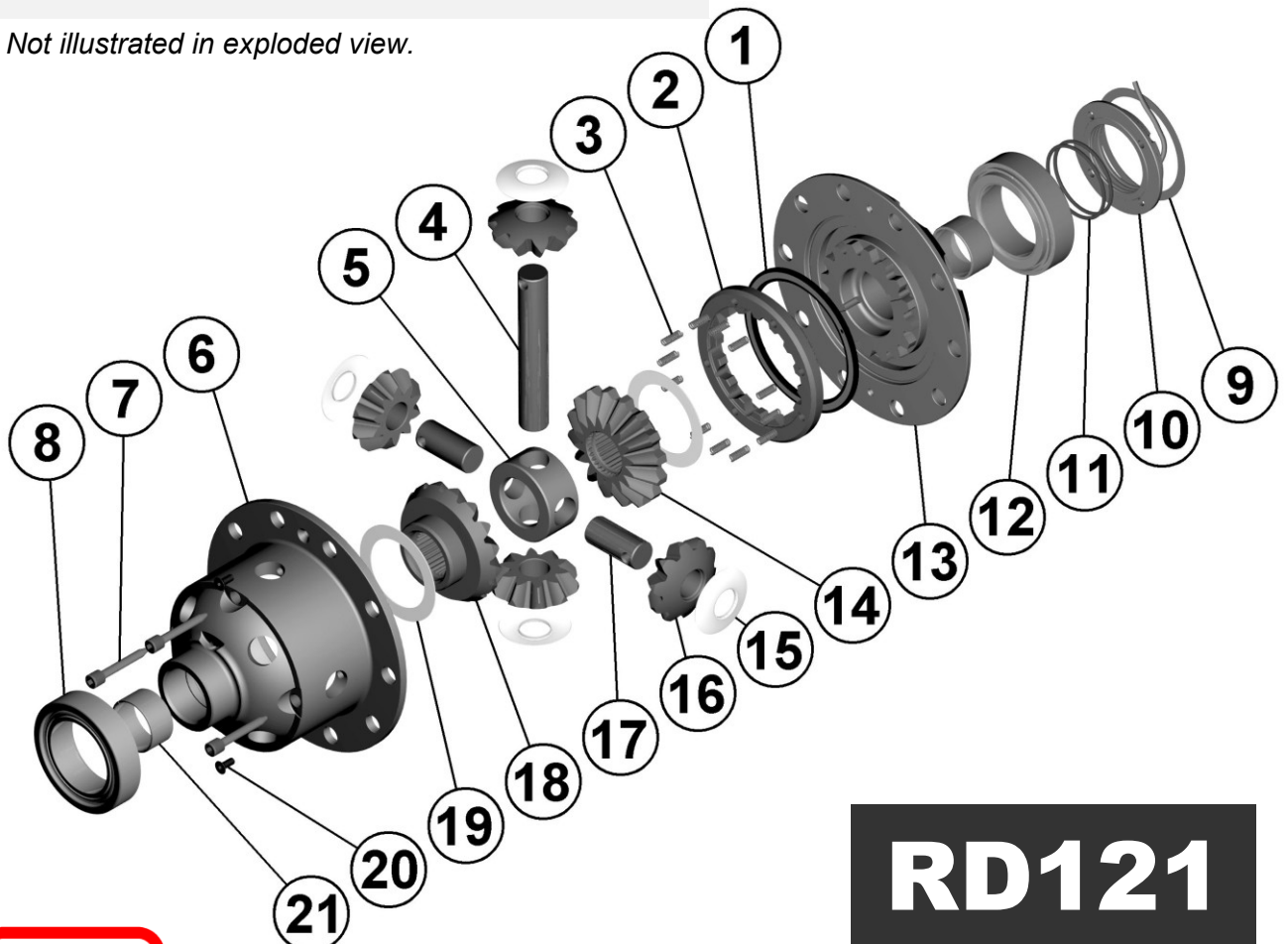
- 1 For replacement O-rings use only BS136 Viton 75.
- 2 Available only as complete 6 gear set # 728H111

Spare axle retaining clips may be required (not supplied) to refit CV shafts.

For 8" IFS with 50mm carrier bearings refer to RD131 ([Section 2.131](#)).

For 8" IFS with 53mm carrier bearings for the numerically higher ring and pinion ratios (i.e., 3.91 & UP) refer to RD111 ([Section 2.111](#)).

* Not illustrated in exploded view.



RD121

