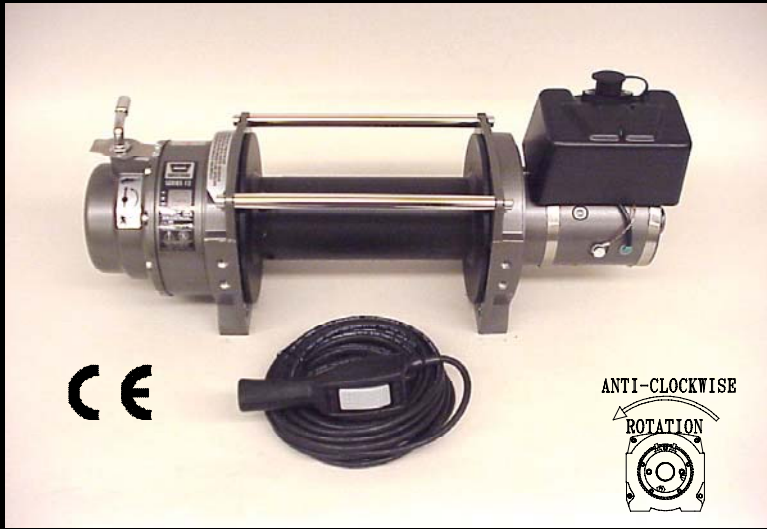


**WARN INDUSTRIAL WINCH**

WINCH MODEL	PART NUMBER	TYPE
<b>SERIES 15 DC</b>	PN 65932	<b>24V ELECTRIC</b>



06/18/03

The Series 15 DC features an extended run time high powered DC motor with a weatherproof industrial contactor and heavy duty remote control. The disc brake is designed for extended power-out use. Designed to meet SAE J706 and CE standards.

**ENGINEERING DATA:**

- **Maximum rated load :** 15000 lbs (6818kg)
- **Maximum wire rope recommended:** 1/2" 26600 lbs (12091kg) minimum breaking strength
- **Drum barrel diameter:** 4.0" (102 mm)
- **Drum flange diameter:** 8.24" (209 mm)
- **Distance between flanges:** 9.95" (253 mm)
- **Contactors:** Industrial contactor with 32' ( 10 M) heavy duty remote control
- **Approximate shipping weight:** 103 lbs ( 47 kg )
- **Gear ratio:** 315:1
- **Motor:** 24 volt DC series wound 3.8 hp (2.83KW)

**STANDARDS COMPLIANCE:**

- SAE J706
- NFPA 1901-73
- CE Machinery Directive 98/37/EEC

**PERFORMANCE DATA:**

LAYER	CAPACITY		CAPACITY		CAPACITY	
	lb.	kg	ft/m in.	m/m in.	ft.	meters
1	15000	6818	4.2	1.3	22	6.7
2	12295	5589	5.1	1.6	48	14.6
3	10417	4735	6.0	1.8	79	24.1
1 st LAYER	LINE LOAD		LINE SPEED		DUTY CYCLE	
	lb.	kg	ft/m in.	m/m in.	amps	min/10 min
	0	0	21.5	6.6	45	4.3
	4000	1818	12.8	3.9	114	4.0
	6000	2700	11.1	3.4	149	3.5
	9000	4100	9.3	2.8	200	2.5
	12000	5400	6.0	1.8	240	1.5
15000	6818	4.2	1.3	295	0.5	

**AVAILABLE ACCESSORIES:**

- **OverLoad Interrupt**  
-pn 61930
- **Roller Fairlead**  
- pn 24336 (black)  
- pn 30859 (chrome)
- **Tensioner Kit**  
- pn 31149
- **Remote clutch kit**  
- pn 38316 (mechanical)  
- pn 31256 (air)

**WARN INDUSTRIES, INC. INDUSTRIAL PRODUCTS**

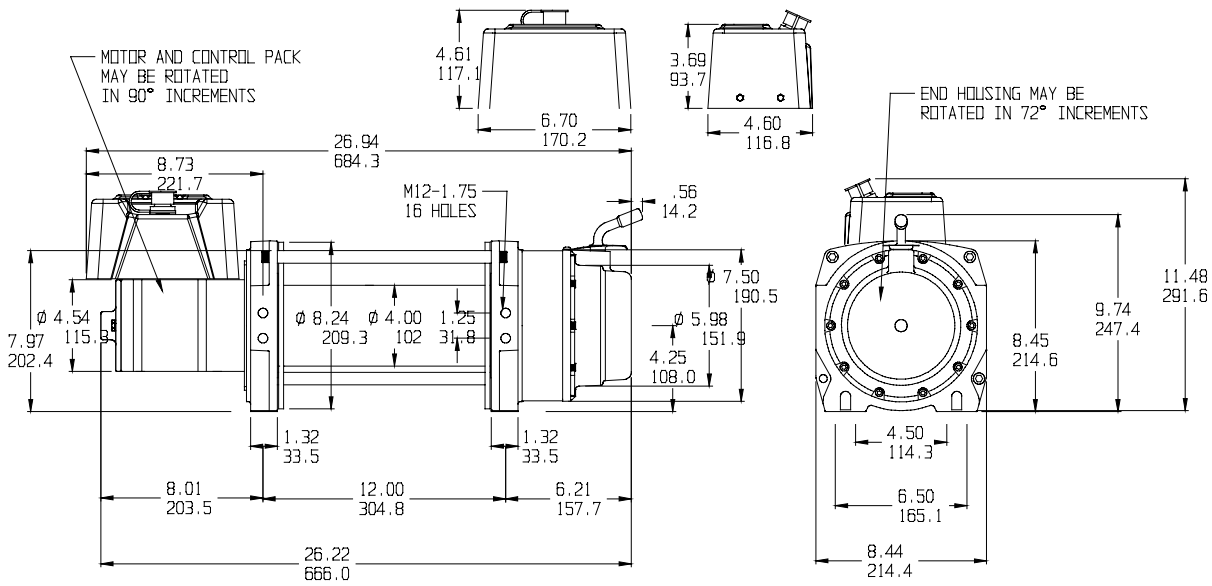
12900 S.E. Capps Road, Clackamas, OR USA 97015-8903  
 Customer Service (in North America): 1.800.543.9276  
 Customer Service (International): 1.503.722.3054  
 Fax:1.503.722.3000 www.warn.com



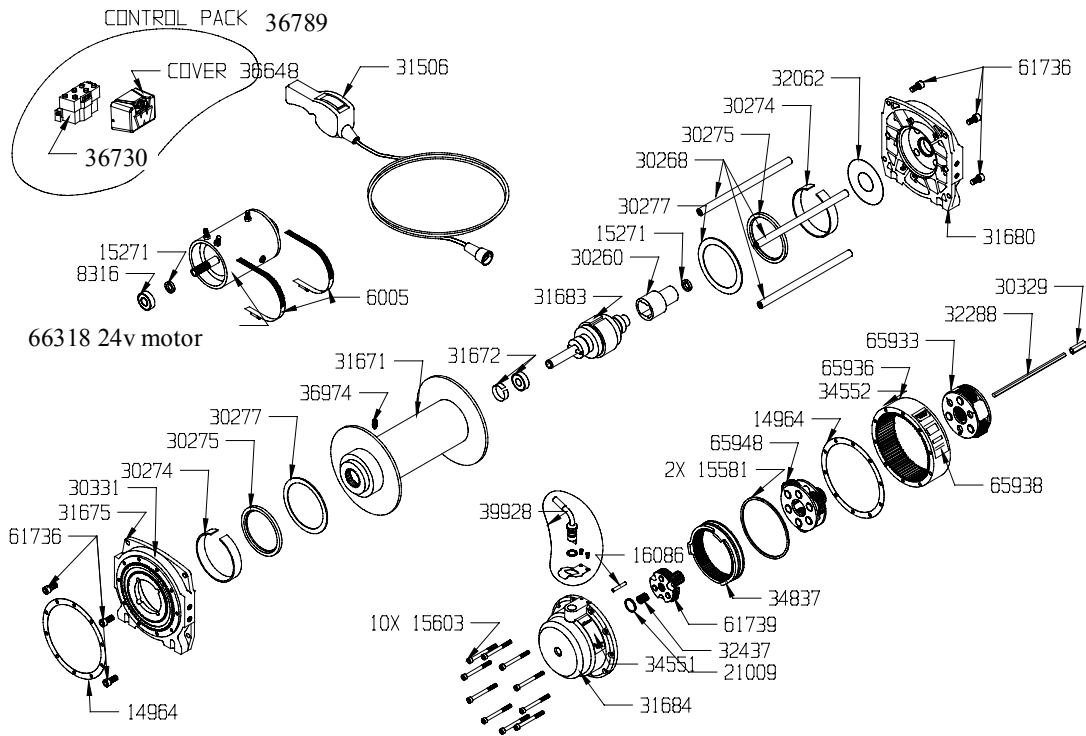
# WARN INDUSTRIAL WINCH

WINCH MODEL	PART NUMBER	TYPE
<b>SERIES 15 DC</b>	PN 65932	<b>24V ELECTRIC</b>

## DIMENSIONAL DATA



## REPLACEMENT PARTS



## WARN INDUSTRIES, INC. INDUSTRIAL PRODUCTS

12900 S.E. Capps Road, Clackamas, OR USA 97015-8903  
 Customer Service (in North America): 1.800.543.9276  
 Customer Service (international): 1.503.722.3008  
 Fax: 1.503.722.3000 www.warn.com

